

1. Installation manual

1.1 General

Fireplace insert for wood (further only "fireplace") is a single-shaft heating device which replaces the existing heating for short periods between seasons or supports it in the cold seasons. Fireplace is designed for local heating. Fireplace can be installed in a normal environment specified in STN 33 0300.

This fireplace has been tested according the standard EN 13229 with fuels: wood and brown-coal briquettes. This fireplace met the requirements of this standard.

All local regulations, including regulations relating to national and European standards have to be followed when installing the fireplace. Before mounting the fireplace, you have to inform the competent master chimney sweep who will inspect as expert the proper connection of fireplace to the chimney.

Fireplace must be installed on floorings that have corresponding loading capacity. By installation, it is necessary to ensure sufficient space for cleaning of fireplace, flue and chimney.

The fireplace must be closed during operation, but also when not in operation, because otherwise it might significantly affect other devices connected to the chimney.

Combustion chamber is enclosed by sheet metal plate filled from inside with fire- bricks. In the bottom part of the combustion chamber, there is the bed with cast-iron grate. There is an ash box under the grate. Stokers door are sealed with gasket. The door may be opened only to add fuel. The stokers door are paned with highly heat-resistant glass-ceramic.

The smallest size of the front opening in the lining of fireplace is: width 600 mm and height 850 mm. Surface temperatures of the lining can reach, depending on thermal resistance coefficient of the used construction material and its thickness, within the range between 30 and 80 °C.

NOTE: when claiming or ordering spare parts always quote the name, type and serial number given on the data card.

1.2 Specifications

Nominal thermal power [kW]	9
Heat flow into the space [kW]	9
Efficiency at the nominal power [%]	min 79 %
Operating blast draught [Pa]	wood = 13 Pa, brown-coal briquettes = 10 Pa
Main dimensions [mm]:	
- width	587
- depth (without handle)	465
- height	790÷870
Exhaust throat diameter [mm]	150
Height up to the bottom edge of exhaust throat [mm]	outlet socket is only at the top
Ash box volume [dm ³]	3,55
Weight app [kg]	94
Recommended fuel:	
- dry hard wood (beech, oak) - fuel efficiency app 15 MJkg ⁻¹	
- brown-coal briquettes - 1. class fuel Group C, fuel efficiency 18 ÷ 21MJkg ⁻¹	
Approximate consumption of recommended fuel at nominal power [kg·h ⁻¹]:	
- Wood	2,80
- brown-coal briquettes	2,20
Heating capacity [m ³]:	
- Favorable type of construction	> 200
- Less favorable type of construction	173
- Unfavorable type of construction	114
Standards: EN 13229	

1.3 Connection to the chimney

At installation comply with all corresponding project, safety and hygienic regulations according to the Regulation No. 84/97. Data to calculate the chimney (at the nominal thermal power):

Fuel	Brown-coal briquettes	Wood
Flue gas flow [g/s]	7,9	7,4
Max. flue gas temperature behind exhaust throat [°C]	347	347
Min. blast draught at nominal thermal power [Pa]	10	13

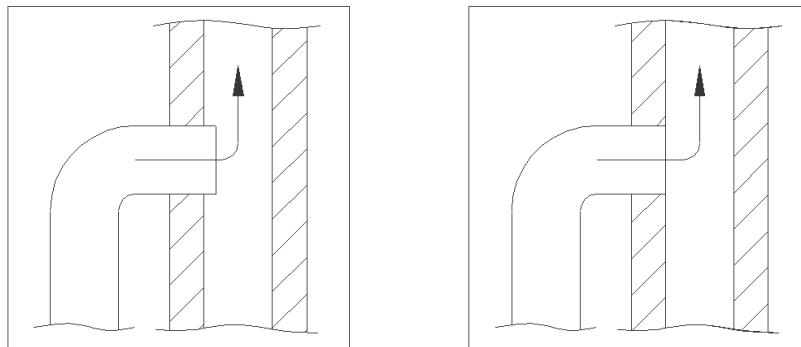
The fireplace can be used to connect a multi-occupied chimney, which means that to the chimney with the fireplace connected, we can connect more devices.

Before connecting the fireplace, make sure there is sufficient blast in the chimney. Flame of a burning paper or candle should be sucked into the chimney opening. The fireplace should be attached to the chimney flue in the shortest direction.

The fireplace should be attached to the chimney flue always with the consent of competent chimney sweeper office in compliance with STN 73 4210 and STN 73 4201.

If the fireplace cannot be attached to the chimney flue directly, the flue involved should be the shortest possible and ascend towards the chimney. Flues can be of maximum 1,5 m length. In any case, it is necessary to ensure smoke tubes and bends, mounted on exhaust throat, against getting loose by a pin. Smoke tubes and bends must be attached firm and tight to the fireplace and plugged into each other by minimum 40 mm length in the direction of chimney blast. The chimney opening must be fitted with a sheet metal case with a diameter corresponding to the diameter of used smoke tubes.

Correct and incorrect connection of fireplace to the chimney is displayed in Figure 1.



To ensure a failure-free operation, the chimney blast must be kept at $10 \div 13$ Pa (measured inside of smoke tube behind the fireplace). As the chimney blast can be affected by changeable factors, as the outside air temperature, combustion temperature, chimney lining, wind power, etc., it varies during the year. Therefore it is recommended to install a damper inside of the chimney.

The fireplace can reach the specified performance and efficiency as long as it is connected to a chimney with sufficient blast draught. The chimney's cross section must be 150x150 mm, and minimum height 5 meters.

1.4 Space venting

The fireplace operation requires sufficient space venting, meaning incoming flow of outside air into the space where the fireplace is operated. That can be done through an open window or open external door. However, it is safer, if together with the installation of fireplace a special opening is made in the external wall, in the area where fireplace is mounted, in order to ensure sufficient incoming air flow for combustion. Adjustable ventilation grille, opened and closed from inside, should be embedded in the opening. The fireplace needs for wood combustion up to 20 m^3 of fresh air per hour.

Insufficient air flow runs counter to proper operation of fireplace and is a threat to your safety!

Let the installation of your fireplace, its connection to chimney and venting be tested by a competent chimney sweep in your area!

1.5 Fire safety

It is obligatory to strictly adhere to the rules of fire safety covered by STN 92 0300.

In case of nearby flammable building material or objects with combustibility degree B, C1 and C2 according to STN 73 0823, place the fireplace with appropriate flue at safe distance which is at minimum 400 mm from these objects.

Safe distance should be doubled if the fireplace with flue was standing close to material with the combustibility degree C3. The same applies if the degree of combustibility for the material cannot be proved.

Safe distance can be decreased to half in case of using a nonflammable, heat-insulating shading board, min. 5 mm thick, placed in such a way there is 25 mm gap left between the board and the protected flammable object.

If the flooring is made of flammable material, place the fireplace on nonflammable, heat-insulating pad with dimensions exceeding the contour of fireplace by 300 mm in the front and by 100 mm on all other sides. The smallest dimensions of the pad and the location method are displayed in Figure 2. Shading board placed on the protected object must exceed the contour of fireplace, including the smoke tubes, by at least 150 mm on each side and at least 300 mm above the upper area.

In case of fire in chimney follow the fire safety rules.

2. Operation manual

2.1 Important safety instructions:

In case of conditions leading to danger of temporarily present flammable gases or when there is a danger of fire or explosion present at some kind of work (e.g. bonding of floor coverings), the fireplace must be shut off before the danger arises.

The fireplace must be operated according to this manual. It can be only operated by adult persons; it is unacceptable to leave children close to the fireplace in operation.

No flammable liquids can be used to heat up.

IT IS FORBIDDEN TO INCREASE THE NOMINAL THERMAL POWER OF THE FIREPLACE USING FLAMMABLE LIQUIDS.

The fireplace must not be operated with stoker door open.

Ash has to be disposed of carefully, and placed in nonflammable containers with cover; hot ash cannot be placed in ash bins or kept in open air.

Damaged or nonoperational fireplace must not be used. The user must provide its professional repair before using it again.

Ash accumulation in smoke tubes and bends must be checked at least once a month and cleaning provided when required.

During operation, all air supplies to fireplace must not be closed.

During operation, it is necessary to monitor the functions of the fireplace and the fire safety. You must check the amount of fuel in the hearth, sooting of the grate, conditions of control mechanisms of combustion air, if the door is closed and if the surrounding is clean.

Broken fire- brick in hearth is no obstacle to further use of fireplace. This does not apply to ceiling vermiculite.

When used simultaneously with other heating device, proper area venting must be provided (see part 1.4).

2.2 Fuel

This fireplace is intended for use of: wood, brown-coal briquettes 7", 6" long.

Emission standard dictates that only naturally dried wood (humidity content max. 20%) can be used. Wet wood causes strong tar condensation. The most suitable are wooden logs with diameter of 30 cm and 30 cm long, stored in dry place for at least 2 years. Most suitable are: beech, oak, hornbeam, birch and fruit trees wood.

Unsuitable or unacceptable fuel:

Only fuel mentioned above can be used.

Unacceptable for use is also: carbon grit, finely chopped chips, bark and chipboard waste, wet wood and wood treated by a prophylactic, paper and pasteboard (except heating up).

Waste combustion is forbidden by Law of protection against emissions.

Combustion gases produced by waste combustion can threaten your health and cause damage to chamotte and metal parts of your fireplace and to your chimney.

2.3 Fireplace setting

The fireplace has control valves for supply and control of combustion air flow:

- Primary air: one control valve on stoker door at the bottom.
- Secondary air: one control valve on stoker door at the upper side.

Control valves are marked with signs: "0" – closed, "1" – open.

NOTE: the control mechanisms can be very hot! Use the glove supplied as an accessory for manipulation of hot objects.

2.4 Heating up

Before heating up you must open all air suppliers (control valves to "1"). At the same time, ensure air supply to the room (see part 1.4). Recommended fuel should be supplied at the nominal thermal power in intervals of one hour.

Fire is set up using paper and thin wooden chips. Never use petrol, alcohol, kerosene, etc. Place a layer of wooden logs and briquettes on the fire.

Never use more than three wooden logs as fuel load.

When using the fireplace for the first time, heat it up with a small fire. First, wait until the fire becomes bigger so that the fireplace could slowly and evenly extend and the fireplace body will not suffer any damage due to temperature tension.

To achieve this, you have to set the control valves for both primary and secondary air immediately (once the fire is burning well) to medium setting.

In case of difficulties with heating up (weather changes, cold chimney, etc.), local fire is set up in the fireplace using paper to heat it up better. During heating up it is necessary to check on the combustion and constantly monitor the fireplace.

The fireplace is covered with heatproof paint that hardens at higher temperatures. Therefore smell is produced during the first phase of heating up. For this reason, especially at the first use, sufficient venting must be provided.

We do not recommend touching the external paint of the fireplace when using for the first time, because it is not yet hardened and it could be damaged.

2.5 Normal operation

The fireplace reaches the nominal thermal power at chimney blast of 13 Pa for wood and 10 Pa for brown-coal briquettes and at following setting of control valves of air suppliers.

Nominal thermal power	Wood (beech, oak)	Brown-coal briquettes
Primary air (bottom)	Close the valve	Open valve fully
Secondary air (up)	Open valve fully	Close the valve

To achieve good combustion it is necessary to bring combustion air through secondary valve when using wood, and through primary valve when using briquettes.

Operation at minimum input (little need of heat) is achieved at the following setting of control valves of air suppliers:

Minimum input	Brown-coal briquettes
Primary air (bottom)	Open valve to 1/2
Secondary air (up)	Open valve to 1/3

Besides the setting of combustion air control valves, the chimney is a very important factor affecting the intensity of combustion and thus the heating performance of your fireplace. Increased chimney blast needs smaller supply of combustion air, decreased chimney blast requires larger supply of combustion air.

When using wooden logs, the supply of combustion air should be reduced at the beginning, until the wood gets completely burnt through (little fire). If such a procedure causes very high heating performance, lower amount of fuel should be used.

Optimal control of combustion requires experience, especially when the chimney blast is not constant or the fuel wood used is of changeable quality. When the chimney blast is too strong or when there is too much fuel in the hearth, there is danger of overheating the paint of fireplace. The paint becomes silver-white and shortly starts to peel off the fireplace. The manufacturer does not assume any responsibility for this kind of paint damage. You can repair this failure by fireplace paint (spray).

2.6 Between-seasons operation

When the outside temperatures reach above around 15°C, it can happen with low combustion performance, and in certain conditions, that the chimney blast is endangered, not drawing the combustion gases completely away (smoke, combustion gases smell). In such case, clean the grate and increase the supply of combustion air. Add smaller and smaller amounts of fuel and clean the grate more often. Close the door and the valves of air supply of other devices connected to the same chimney, which are not in use. Check the cleaning openings of the chimney for tightness.

2.7 Ash removing

To ensure failure-free operation it is necessary to remove the ash from the fireplace on time and regularly. The ash box must be emptied in time to enable the combustion air flow through the grate. Otherwise, there is danger that ash under grate would prevent air from flowing and the grate would get overheated and deformed due to the lack of cooling.

Ash must be removed from the fireplace before putting fuel inside.

2.8 Cleaning and maintenance

Depending on frequency of use, the fireplace must be cleaned once or more times per year (in cold state). Cleaning is executed as follows:

Smoke tube is removed and cleaned outside in appropriate container. Accumulation area of combustion waste may be cleaned using a steel brush and vacuum cleaner. Subsequently, the smoke tube must be reset between the chimney and the exhaust throat of the fireplace.

NOTE: The fireplace can only be used again after cleaning when all parts removed for cleaning have been returned back.

The fireplace is covered on the outside with heatproof paint. When the paint hardens (after few hours at nominal thermal power), it can be cleaned on surface using dry towel.

This heatproof paint is not resistant to humidity. Therefore do not put any wet objects on the fireplace, it could produce rust spots.

The glass in stoker door can be cleaned using a common glass cleaner, when only light sediment appears. Hard sediment can be removed using a burning cleaner or with fine steel wool.

NOTE: the glass can have sharp edges; therefore use protective gloves when replacing the glass!

If the fireplace has not been used for a longer period, before starting to use it again it is necessary to check possible obstruction in the fireplace, flue or chimney.

2.9 Problem sources and their solving

In case of failures (e.g. smoke) appearing during operation, contact your local competent chimney sweeper. If damage is caused to the fireplace, contact the shop where you purchased the fireplace. These are the most common failures, their sources and solutions.

Type of failure	Possible cause	Solution
Smell creating	Used protective paint drying out, evaporation of oil residues	Operate the fireplace according to the operation manual for few hours at low power. Then heat for few hours at maximum power.
Too low thermal power	Selected power is too small. Insufficient chimney blast. Smoke tube is incorrectly connected	Let the heat necessity be checked by an expert. Chimney blast must be at least 13 Pa for wood and 10 Pa for brown-coal briquettes! Check the chimney for tightness. Doors of other devices connected to the chimney must be closed tight. Ensure tightness of cleaning covers. Possibly use 1,5 m long vertical smoke tube (slope path). Check the smoke tube.
Fireplace reeks and smokes	Smoke is insufficiently drawn away (obstructed chimney or return flow in chimney) Chimney is too weak Combustion of wet wood	The cause is nearly always in the area of combustion gases route. Check the smoke tubes and chimney blast, if possible, consult a chimney sweeper. Only use well dried wood.
Glass in stoker door gets quickly dirty with soot	Incorrect combustion, e.g. wet wood Smoke is insufficiently drawn away (obstructed chimney or return flow in chimney)	Only use well dried wood. Check the smoke tubes and chimney blast, if possible, consult a chimney sweeper.
Fireplace heats too strong	Sealing of stoker door is damaged	Change the seal.
Curl of smoke, puff of smoke	Sometimes obstructed chimney or return flow in chimney When all air suppliers are closed Too much fuel in hearth	Consult a chimney sweeper. During operation, all air suppliers cannot be closed. Only add one layer.
Damage to grate	Grate is burnt through, or scaled	Burning of grate is always caused by full ash box. Empty ash box.

2.10 Accessories list

- Protective glove.

2.11 Spare parts list

- Stoker door
- Stoker door glass
- Stoker door gasket
- Stoker door handle
- Fire- bricks, vermiculite
- Ash box
- Cast-iron grate
- Cast-iron glass

Only use these spare parts.

3. Warranty

If a failure of function or failure of surface coating appears during the warranty period, never repair it yourself. Warranty and after-warranty repairs are performed by the manufacturer.

We guarantee for the quality, function and elaboration of the fireplace for the period of 2 years from the date of purchase by customer, in terms that all failures undoubtedly caused by incorrect manufacturing we repair in short time at our own expense, under the condition that the fireplace:

- Was operated exactly according to the manual.
- Was connected to the chimney according to the standards.
- Was not violently mechanically damaged.
- Was not subject to repairs, adjustments or unauthorized manipulation.

When claiming the product, you must give full address and state the conditions which lead to it. We will see into the claim if you present the warranty certificate with the date of purchase and the seal of the seller.

It is in your interest to ask for a legibly completed warranty certificate on purchase. We decide on the method and location of repair in our factory.

When purchasing the product, check the stoker door glass and fire-bricks. The manufacturer accepts contingent claims on damaged glass or damaged fire-bricks only after first heating up in the product.

It is unacceptable to operate the device at thermal overload, that means:

- The amount of used fuel is higher than recommended.
- The amount of combustion air is higher than recommended.
- Use of unacceptable type of fuel.

Thermal overload can appear as:

- Deformation of hearth ceiling,
- Over-burning of grate,
- Breakage of fire-bricks.

In case of incorrect operation the manufacturer does not accept any claim of the device.

The change of product or cancellations of purchase contract are subject to relevant regulations of the Civil Law and Complaints Procedure.

DE

**Aufstellungs- und Bedienungsanleitung für des Kamineinsatz Typ
RIA III-A
geprüft nach DIN EN 13229, §15a B-VG, Prüfberichten Nr. RRF – 29 07 1169**

1. Aufstellungsanleitung

1.1 Allgemeines

Kamineinsatz sind als Bauprodukte in der Bauregelliste A aufgeführt und werden nach den in dieser Liste angegeben Technischen Regeln geprüft. Ein Kamineinsatz ist eine Zweitfeuerungsanlage die in der Übergangszeit die vorhandene Heizung für kurze Zeit ersetzt oder in der kalten Jahreszeit unterstützt.

Der Kamineinsatz "RIA III-A" wurde nach EN 13229, mit den Brennstoffen Holz und Braunkohlenbrikett 7" geprüft. Er hat die Bedingungen dieser Norm erfüllt.

Informieren Sie sich anhand dieser Anleitung über die Aufstellung und die Funktion dieser Feuerstätte!

Ihr zuständiger Bezirksschornsteinfeger ist vor Aufstellung des Kamineinsatzes zu informieren. Er ist als Fachmann in der Lage, Ihnen mit Rat und Tat zur Seite zu stehen und wird nach der Aufstellung des Kamineinsatzes den ordnungsgemäßen Anschluß überprüfen.

Nähere Angaben über gesetzliche Vorschriften zur Aufstellung und zum Betrieb von Feuerstätten können der jeweiligen Landesbauordnung (LBO) sowie der Feuerstättenverordnung (FeuVo) entnommen werden.

Der Feuerraum muß bei Betrieb und Stillstand geschlossen bleiben, da sonst weitere am gleichen Schornstein angeschlossene Feuerstätten erheblich beeinflußt werden. Die Feuerraumtür ist selbstschließend. Sie darf nur zum Nachlegen des Brennstoffes geöffnet werden. Die Selbstschließfunktion wird durch eine im Scharnier der Feuerraumtür eingesetzte Rückstellfeder gewährleistet.

Die kleinsten Masse der Frontöffnung in der Verkleidung des Kamineinsatzes sind folgend: Breite 600 mm und Höhe 850 mm. Die Oberflächentemperaturen der Verkleidung können sich in Abhängigkeit von Koeffizient des Wärmewiderstandes des Baumaterials und seiner Dicke zwischen 30 und 80 °C bewegen.

ACHTUNG: Geben Sie bei Rückfragen oder Ersatzteilbestellungen immer den auf dem Geräteschild angegebenen Kamineinsatz, **DIE SERIENNUMMER UND DIE PRÜFNUMMER** an.

1.2 Leistung, Raumheizvermögen und Abmessungen

Nennwärmeleistung:	9 kW	<u>Abmessungen</u>	
Zugbedarf:	10 - 13 Pa	Ofenkörper	
Maximale Aufgabemenge für:		Breite:	587 mm
- Holz (etwa 3 Scheite)	ca. 2,8 kg	Höhe:	790-870 mm
- Braunkohlenbrikett 7" (etwa 4 Stücke)	ca. 2,2 kg	Tiefe (ohne Griff)	465 mm
- Raumheizvermögen nach DIN 18893 ¹⁾ :-		Abgasanschluß:	
- günstige Bauweise:	200 m ³	Durchmesser Abgasstutzen:	150 mm
- weniger günstige Bauweise:	173 m ³		
- ungünstige Bauweise:	114 m ³		

¹⁾ für Gebäude deren Wärmedämmung nicht der Wärmeschutzverordnung entspricht (Tab. 2); bei Wärmedämmung gemäß Wärmeschutzverordnung erhöht sich das Raumheizvermögen entsprechend.

1.3 Schornsteinanschluß

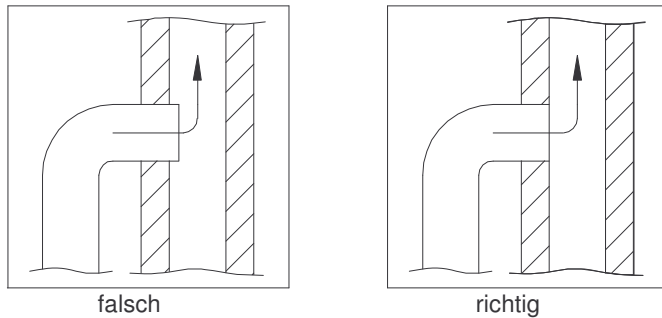
Kamineinsatz der Bauart 1 sind für den Anschluß an mehrfach belegte Schornsteine geeignet, d.h. an dem Schornstein, an dem der Kamineinsatz angeschlossen ist, dürfen mehrere Feuerstätten angeschlossen sein.

Daten zur Berechnung des Schornsteins (bei Nennwärmeleistung):

Brennstoff	Braunkohlebrikett 7"	Holz
Abgas-Massenstrom [g/s]	7,9	7,4
Abgastemperatur nach dem Abgasstutzen [°C]	347	347
Mindestförderdruck bei Nennwärmeleistung [mbar]/[Pa]	0,10/10	0,13/13

Für die Schornsteinbemessung gilt DIN 4705. Für den Anschluß des Kamineinsatzes an den Schornstein ist ein Rauchrohr mit einem lichten Durchmesser von 150 mm erforderlich. Es können alle handelsüblichen Rauchrohre nach DIN 1298 verwendet werden. Es ist darauf zu achten, daß zur Vermeidung von Druckverlusten das Rauchrohr auf kurzer Strecke verlegt wird, und

daß die einzelnen Rohrteile sowohl am Kamineinsatzstutzen, untereinander, als auch am Schornstein fest und rauchdicht montiert sind.



Beim Anschluß des Rauchrohres an den Schornstein ist sicher zu stellen, daß das Rauchrohr nicht in den freien Schornsteinquerschnitt hineinragt. Es empfiehlt sich zum Anschluß an den Schornstein ein doppeltes Wandfutter, das ebenfalls im Fachhandel zu beziehen ist, zu verwenden.

Um einen einwandfreien Betrieb des Kamineinsatzes sicherzustellen, muß der Schornsteinzug möglichst konstant auf einem Wert von 0,10 bis 0,11 mbar (1,0 bis 1,1 mm WS), gemessen im Rauchrohr hinter dem Ofen, gehalten werden. Da der Schornsteinzug von mehreren veränderlichen Faktoren wie Außenlufttemperatur, Rauchgastemperatur, Schornsteinbelegung, Windstärke usw. beeinflusst wird, ist er im Jahresverlauf sehr unterschiedlich. Es wird daher empfohlen, eine Nebenlufteinrichtung (Zugregelklappe nach DIN 4795) in den Schornstein einbauen zu lassen.

1.4 Raumbelüftung

Beim Betrieb der Feuerstätte muß eine ausreichende Raumbelüftung, d.h. Außenluftzuführung in den Aufstellungsraum sichergestellt werden. Dies kann durch ein geöffnetes Fenster oder eine geöffnete Außentür erfolgen. Sicherer ist jedoch, wenn gleichzeitig mit der Aufstellung des Kamineinsatzes eigens für die erforderliche Verbrennungsluftzuführung eine besondere Öffnung in die Außenwand im Bereich des Aufstellungsplatzes des Kamineinsatzes geschaffen wird. In die Öffnung, wird ein einstellbares Lüftungsgitter eingesetzt, welches sich von der Raumseite her öffnen und schließen läßt. Der Kamineinsatz DOMINO benötigt bei der Verfeuerung von Holz bis zu 20 m³ Frischluft pro Stunde.

Nicht ausreichende Luftzuführung beeinträchtigt die Funktion des Schornsteines und gefährdet Ihre Sicherheit!

Beachten Sie, daß eine Abluft-Dunstabzugshaube, die im gleichen, oder in anliegenden Räumen betrieben wird, Unterdruck im Raum erzeugt. Dies kann zu Austreten von Rauchgas in den Aufstellraum führen, wenn dem Raum zu wenig Luft von außen zugeführt wird.

Lassen Sie die ordnungsgemäße Aufstellung Ihres Kamineinsatzes, den Schornsteinanschluß und die Lüftung von dem zuständigen Bezirksschornsteinfegermeister prüfen.

1.5 Brandsicherheit

Auch für den Aufstellungsplatz sind besondere Sicherheitsvorkehrungen zu treffen. So sollte der Fußboden vor dem Kamineinsatz aus nichtbrennbarem Material bestehen (z.B. Fliesen, Klinker oder Naturstein).

Besteht der Fußboden aus brennbaren oder temperaturempfindlichen Materialien, wie z.B. Holz, Parkett, Spanplatten, PVC, Linoleum, Kork oder Teppich aus Natur- oder Kunstfasern, muß eine nicht brennbare Unterlage (z.B. Stahlblech oder Fliesen) vorgesehen werden. Die Mindestgröße dieser Unterlage ist in den einschlägigen Landesvorschriften festgelegt. Fragen Sie Ihren Schornsteinfeger.

Im Strahlungsbereich der Ofentür dürfen sich im Abstand von mindestens 40 cm nach vorn und nach den Seiten gemessen keine brennbaren oder wärmeempfindlichen Gegenstände befinden oder aufgestellt werden.

Der Kamineinsatz bekommt Frischluftzufuhr auch von unten, dafür darf das untere Teil nicht ganz eingemauert werden.

2. Bedienungsanleitung

2.1 Wichtige Sicherheitshinweise

Lassen Sie niemals Kinder unbeaufsichtigt in der Nähe des Kamineinsatzes, wenn dieser in Betrieb ist. Kinder sind unberechenbar. Die Verletzungsgefahr an heißen Teilen des Kamineinsatzes ist erheblich.

Bewahren Sie niemals leicht entzündliche Flüssigkeiten wie Benzin oder Spiritus in der unmittelbaren Nähe des Kamineinsatzes auf. Verwenden Sie niemals leicht entzündliche Flüssigkeiten zum Anzünden des Kamineinsatzes.

Eine Abluft-Dunstabzugshaube, die im gleichen, oder in anliegenden Räumen betrieben wird, kann zu Austreten von Rauchgas in den Aufstellraum führen, wenn dem Raum zu wenig Frischluft zugeführt wird.

Die Entschung muß vor der Brennstoffaufgabe erfolgen.

Heiße Asche darf nicht in die Mülltonne oder ins Freie gegeben werden.

Der Kamineinsatz darf nicht mit offener Feuerraumtür betrieben werden.

2.2 Brennstoff

Der Kamineinsatz RIA III - A ist geeignet für die Brennstoffe Holz, Braunkohlenbrikett der Länge 7".

Das Bundes-Immissionsschutzgesetz schreibt vor, daß nur trockene naturbelassene Hölzer (Feuchtigkeitsgehalt höchstens 20 %) als Brennstoff für Kleinf Feuerstätten verwendet werden dürfen. Nasses Holz führt zu stärkerer Teerbildung. Am besten

geeignet sind Holzscheite von circa 30 cm Umfang und ca. 30 cm Länge aus mindestens 2 Jahre trocken gelagertem Buchen-, Eichen-, Birken- oder Obstbaumholz.

Ungeeignete bzw. unzulässige Brennstoffe

Es dürfen nur die unter 2.1 genannten Brennstoffe verfeuert werden. Nicht verbrannt werden darf unter anderem: Kohlegruß, Feinhackschnitzel, Rinden- und Spanplattenabfälle, feuchtes und/oder mit Holzschutzmitteln behandeltes Holz, Papier und Pappe (außer zum Anzünden).

Das Verbrennen von Abfall ist gemäß Bundes-Immissionsschutzgesetz verboten.

Die bei der Abfallverbrennung entstehenden Abgase können Ihre Gesundheit gefährden sowie Schäden an den Schamotte- und Metallteilen Ihres Kamineinsatzes und am Schornstein verursachen.

2.3 Einstelleinrichtungen

Der Kamineinsatz besitzt drei Einstelleinrichtungen für die Einstellung der Verbrennungsluftströme:

- Primärluft einen Einstellschieber im Unterteil der Feuerraumtür 0-1 (zu - auf)
- Sekundärluft oben einen Einstellschieber im Oberteil der Feuerraumtür 0-1 (zu - auf)

ACHTUNG: DIE EINZELNEN BEDIENUNGSELEMENTE WERDEN Z.T. SEHR HEIß! ZUR BEDIENUNG IM HEIßEN ZUSTAND DIE ALS ZUBEHÖR MITGELIEFERT KALTE HAND BENUTZEN. IM FACHHANDEL ERHÄLTlich SIND AUCH WÄRMESCHUTZHANDSCHUHE (GRILLHANDSCHUH).

2.4 Anzünden und Anheizen (Inbetriebnahme)

Vor dem Anzünden sind alle Verbrennungsluftschieber an der Ofenvorderseite zu öffnen. Gleichzeitig ist für die Luftzufuhr in den Aufstellungsraum zu sorgen (siehe Punkt 1.4).

Nun wird das Feuer unter Zuhilfenahme von Anzündwürfeln oder Papier, sowie Holzschnitzeln entzündet. Niemals Benzin, Spiritus, Petroleum usw. verwenden. Auf das lebhaft brennende Feuer wird nun **eine Lage** Holzscheite oder Brikett aufgelegt. Es sollen **nicht mehr als 3 Holzscheite** pro Brennstoffaufgabe aufgelegt werden.

Es ist zu beachten, daß bei der Inbetriebnahme des Ofens das erste Aufheizen mit kleinem Feuer erfolgt. Das Feuer wird erst nach und nach vergrößert, damit sich der Ofen langsam und gleichmäßig ausdehnen kann und der Ofenkörper keinen Schaden infolge von Temperaturspannungen nimmt. Um dies zu erreichen, werden die Primärluft- und Sekundärluft-Schieber sofort nachdem das Feuer lebhaft brennt, auf eine mittlere Einstellung (Pos. "2") eingestellt. **Die Ascheschublade bleibt auch während der Anheizphase ganz eingeschoben.**

Bereitet das Anzünden Schwierigkeiten (Übergangszeit, kalter Schornstein usw.) wird im Kamineinsatz mit zusammengeknülltem Papier ein Lockfeuer entfacht und so der Ofen leichter in Gang gesetzt. Während der Anheizphase ist der Abbrand ständig zu kontrollieren und der Ofen ununterbrochen zu beaufsichtigen.

Der Kamineinsatz ist mit einer hitzebeständigen Farbe beschichtet, die erst bei höherer Temperatur aushärtet. Deshalb kommt es während des ersten Heizens zu einer Geruchsbildung. Aus diesem Grund muß insbesondere bei der Inbetriebnahme für eine gute Belüftung gesorgt werden.

Die Außenlackierung des Ofens soll bei der Inbetriebnahme nicht berührt werden. Die noch nicht durchgehärtete Lackierung des Ofens könnte durch Berührung beschädigt werden.

2.5 Normalbetrieb

Die Nennwärmeleistung von 9 KW erreicht der Kamineinsatz bei einem Schornsteinzug von 0,1 bis 0,11 mbar (=1,0 bis 1,1 mm WS) bei folgender Einstellung der Verbrennungsluftöffnungen:

(vgl. 2.2)	Holz (Buche, Eiche)	Braunkohlenbrikett
Primärluft	zu	Schieber auf
Sekundärluft Oben	Schieber auf	zu

Um einen guten Abbrand zu erreichen, ist bei Einsatz von Holz die Verbrennungsluft über die Sekundärluftschieber und bei Einsatz von Briketts über die Primärluftschieber zuzuführen.

Bei geringem Wärmebedarf werden die Primärluftschieber bei Verfeuerung von Brikett weiter geschlossen. Bei Einsatz von Holz erfolgt die Leistungsreduzierung mit Hilfe der Sekundärluftschieber.

Neben der Einstellung der Verbrennungsluftschieber, ist der Schornstein die wichtigste Einflußgröße auf die Intensität der Verbrennung und damit auf die Heizleistung Ihres Kamineinsatzes RIA III-A. Erhöhter Schornsteinzug erfordert kleinere Verbrennungslufteinstellungen, geringerer Schornsteinzug erfordert größere Verbrennungslufteinstellungen.

Bei Einsatz von Scheitholz sollte die Verbrennungsluftmenge erst reduziert werden, wenn das Holz weitgehend durchgebrannt ist (kleine Flamme). Hat diese Vorgehensweise eine zu hohe Heizleistung zur Folge, müssen geringere Brennstoffmengen aufgegeben werden.

Die optimale Regulierung des Verbrennungsvorgangs erfordert Erfahrung, insbesondere dann, wenn der Schornsteinzug nicht konstant ist oder stark wechselnde Brennholzqualitäten vorkommen.

- BEI BETRIEB MIT OFFENER ASCHENSCHUBLADE,

- BEI ZU STARKEM SCHORNSTEINZUG (EVTL. ZUGREGELKLAPPE EINBAUEN)

- UND WENN ZUVIEL BRENNMATERIAL AUFGELEGT WIRD,

BESTEHT DIE GEFAHR EINER ÜBERHITZUNG DES OFENLACKES. DER LACK VERFÄRBT SICH SILBER/WEIß UND LÖST SICH NACH KURZER ZEIT VOM OFEN. FÜR SOLCHE LACKSCHÄDEN WIRD VOM HERSTELLER KEINE

GARANTIE ÜBERNOMMEN. SIE KÖNNEN DIESEN OPTISCHEN MÄNGEL MIT HANDELSÜBLICHEM OFENLACK (Z.B. SPRAYDOSE) KORRIGIEREN.

2.6 Betrieb in der Übergangszeit

Bei Außentemperaturen über ca. 15 °C kann es bei geringer Feuerungsleistung u. U. zur Beeinträchtigung des Schornsteinzuges kommen, so daß die Rauchgase nicht mehr vollständig abziehen (qualmen, Geruch nach Rauchgasen). In diesem Fall schüren Sie den Rost und erhöhen die Verbrennungsluft. Geben Sie in der Folge geringere Brennstoffmengen auf und schüren Sie den Rost häufiger. Schließen Sie die Türen und Luftschieber der anderen am gleichen Schornstein angeschlossenen Feuerstätten, die nicht in Betrieb sind. Kontrollieren Sie die Reinigungsöffnungen des Schornsteins auf Dichtheit.

2.7 Entaschung

Um eine einwandfreie Betriebsweise sicherzustellen, ist es notwendig, daß der Kamineinsatz regelmäßig entascht wird. Der Aschebehälter muß rechtzeitig entleert werden, damit die Verbrennungsluft dem Rost gleichmäßig zuströmen kann und nicht durch eine Ascheanhäufung im Aschekasten behindert wird. Es besteht sonst die Gefahr, daß die Verbrennung beeinträchtigt wird und daß sich der Rost infolge fehlender Kühlung überhitzt und verformt.

Die Aschenschublade muß während des Betriebes stets geschlossen gehalten werden. Eine offenstehende Schublade kann zu einer Überhitzung und Beschädigung des Ofens führen. Darüber hinaus kann es zu einer Gefährdung durch anderer Feuerstätten kommen, die an den gleichen Schornstein angeschlossen sind (Bauart 1).

Die Entaschung muß vor der Brennstoffaufgabe erfolgen.

Achten Sie besonders darauf, daß die entleerte Aschenschublade beim Wiedereinsetzen dicht am Ofenkörper anliegt. Wird die Aschenschublade nach der Aufgabe des Brennstoffes entnommen so überschreitet der Ofen nach kurzer Zeit die zulässige Leistung. Dies kann, wegen der dann auftretenden hohen Temperaturen, zu Schäden am Ofen und in seinem Umfeld führen.

2.8 Reinigung und Pflege

Je nach Betriebshäufigkeit des Kamineinsatz ist dieser luft- und rauchgasseitig einmal oder mehrmals pro Jahr (bei kaltem Ofen) zu reinigen. Die Reinigung wird wie folgt durchgeführt:

Das Rauchgasrohr wird demontiert und im Freien in ein entsprechendes Gefäß (Mülltonne) abgereinigt. Der Abgassammelkasten kann unter Zuhilfenahme von Stahlbürste, Pinsel und Staubsauger gereinigt werden. Anschließend muß das Rauchgasrohr wieder dicht zwischen Kamin und Rauchgasstutzen des Ofens eingesetzt werden.

Zur Reinigung des Raumes über der Feuerraumdecke wird die als Decke eingelegte Platte herausgenommen. Achten Sie darauf, daß die Platte nach der Montage vorne dicht an der Ofen innenwand anliegt, so daß das Rauchgas im Bereich der Rückwand den Ofen verläßt.

ACHTUNG: Der Ofen darf nach der Reinigung erst wieder in Betrieb genommen werden, wenn alle zur Reinigung ausgebauten Teile wieder eingebaut sind.

Kamineinsätze sind an der Außenseite mit hochhitzebeständiger Farbe beschichtet. Sobald diese Farbe ausgehärtet ist (nach mehreren Stunden bei Nennwärmeleistung), kann eine Reinigung der Oberfläche mit einem trockenen Tuch vorgenommen werden. Diese hitzebeständige Farbe ist nicht feuchtigkeitsfest. Stellen Sie deshalb keine Gegenstände auf den Ofen. Es könnten sich durch Schwitzwasser leicht unschöne Rostflecken bilden.

Die Glasscheibe in der Feuerraumtür kann bei leichtem Belag mit einem handelsüblichen Glasreiniger gereinigt werden. Ein fester Belag läßt sich mit Backofenreiniger oder feiner Stahlwolle beseitigen.

ACHTUNG: DIE GLASSCHEIBEN KÖNNEN SEHR SCHARFKANTIG SEIN. BEIM EVTL. AUSTAUSCH VON GLASSCHEIBEN UNBEDINGT SCHUTZHANDSCHUH TRAGEN!

2.9 Betriebsstörungen

Falls während des Betriebs Ihres Kamineinsatzes Störungen auftreten wie z.B. Rauchaustritt, setzen Sie sich bitte mit Ihrem zuständigen Schornsteinfeger in Verbindung. Wenden Sie sich an Ihren Händler, wenn Schäden an dem Kamineinsatz aufgetreten sind. Auf Seite 8 sind Störungsursachen und ihre Behebung aufgeführt.

Art der Störung	Möglich Ursache	Behebung
Geruchsbildung	Austrocknen der angewendete Schutzfarbe, verdampfen von Ölresten	Der Kamineinsatz gem. der Bedienungsanleitung mehrere Stunden in Kleinststellung betreiben. Anschließend mehrere Stunden auf max. Leistung heizen

Zu geringe Wärmeabgabe	Geräteleistung zu klein gewählt Kaminzug nicht ausreichend Abgasrohr nicht ordnungsgemäß Angeschlossen	Wärmebedarf von einem Fachmann überprüfen lassen Der Kaminzug muß mindestens 0,10÷0,13 mbar betragen! Schornstein auf Dichtheit überprüfen. Die Türen anderer an diesen Schornstein angeschlossener Öfen müssen dicht geschlossen sein. Auf undicht Reinigungsverschlüsse achten. Evtl. ein 1,5 m langes senkrecht Abgasrohr (Anlaufstrecke) verwenden Abgasrohr überprüfen
Ofen raucht und qualmt	Rauch wird nicht ordnungsgemäß Abgeführt (Stau oder Rückstrom im Schornstein) Schornstein zu schwach Verbrennung von zu feuchtem Holz	Wenn ein Kamineinsatz raucht und qualmt, liegt die Ursache fast immer im Bereich der Abgasführung. Rauchrohr und Kaminzug überprüfen. Evtl. Schornsteinfeger zu Rate ziehen Nur gut abgetrocknetes Holz verwenden
Sichtfenster wird nach kurzer Zeit durch Ruß geschwärzt	Schlechte Verbrennung z.B. durch nasses Holz Falsche Lufteinstellung Rauch wird nicht ordnungsgemäß abgeführt (Stau oder Rückstrom im Schornstein)	Nur gut abgetrocknetes Holz verwenden Einstellung gemäß Abschnitt 2.4 Rauchrohr und Kaminzug überprüfen. Evtl. Schornsteinfeger zu Rate ziehen
Ofen heizt zu stark	Zuviel Brennstoff aufgegeben	Nur 1 Lage Brennstoff aufgeben
Verpuffung	Zeitweilig Stau oder Rückstrom im Schornstein zu wenig Verbrennungsluft unter dem Rost	Schornsteinfeger zu Rate ziehen Primärluft etwas öffnen
Schäden am Rost	Rost ist durchgeschmolzen, verzundert oder verbrannt Brennstoff mit zu hohem Heizwert eingesetzt	Das Verbrennen des Rostes ist in der Regel auf einen überfüllten Aschekasten zurückzuführen. Der Rost wird nicht mehr richtig gekühlt: Aschekasten rechtzeitig entleeren! nur zugelassene Brennstoffe verwenden (vgl. 2.1)

3. Gewährleistung

Unsere Gewährleistungsfrist beträgt ein Jahr für Ihren neuen Kamineinsatz. Als Beleg dient das Kaufdatum Ihrer Rechnung. Eine Gewährleistung kann jedoch nur erfolgen, wenn die technischen Richtlinien und die Hinweise in dieser Betriebsanleitung beachtet wurden.

NICHT GARANTIEPFLICHTIG SIND ALLE TEILE DIE DER DIREKTEN FEURUNG AUSGESETZT SIND (Z.B. GLASSCHEIBEN, SCHAMOTTESTEINE, FEUERROSTE, DICHTUNGEN U.S.W.). EBENFALLS VON DER GEWÄHRLEISTUNG AUSGESCHLOSSEN SIND SCHÄDEN, DIE INFOLGE UNKORREKTER BETRIEBUNG DES OFENS, EINES UNSACHGEMÄßEN ANSCHLUSSES ODER AUFGRUND DER EINWIRKUNG PHYSISCHER GEWALT ENTSTANDEN SIND. DIE GARANTIELEISTUNG ERFOLGT IN DER WEISE, DAB DEM HÄNDLER BZW. DEM ENDABNEHMER FÜR MANGELHAFTE TEILE, UNENTGELTLICH, NEUE TEILE ZUGESANDT WERDEN. IM ÜBRIGEN ENTSCHEIDEN WIR ÜBER ART, UMFANG UND ORT DER GARANTIELEISTUNG NACH BILLIGEM ERMESSEN. IN AUSNAHMEFÄLLEN (FALLS DAS GERÄT NICHT DURCH DEN EINFACHEN AUSTAUSCH EINZELNER ERSATZTEILE REPARIERT WERDEN KANN) WIRD EINE REPARATUR IN DEN RÄUMEN UNSERE KUNDENDIENSTWERKSTATT DURCHGEFÜHRT. DIE LIEFERUNG AN UNSERE WERKSTATT ERFOLGT ÜBER DEN HÄNDLER/GROßHÄNDLER.

SK

Návod na inštaláciu a obsluhu krbovej vložky na tuhé palivá
RIA III-A
testovanej podľa EN 13229

1. Návod na inštaláciu**1.1 Všeobecne**

Krbová vložka na drevo (ďalej len krb) je jednošachtový tepelný spotrebič, ktorý v prechodnom období nahradzuje existujúce vykurovanie na krátku dobu alebo ho podporuje v studených ročných obdobiach. Krb je určený na lokálne vykurovanie. Krb môže byť inštalovaný do obyčajného prostredia definovaného STN 33 0300.

Krb bol skúšaný podľa STN EN 13229 s palivami drevo a hnedouhoľné brikety. Krb splňoval podmienky tejto normy.

Všetky miestne predpisy, vrátane predpisov, ktoré sa týkajú národných a európskych noriem, musia byť pri montáži krbu dodržané.

Pred postavením krbu je nutné informovať príslušného kominárskeho majstra, ktorý ako odborník skontroluje správne pripojenie krbu na komín.

Krb musí byť inštalovaný na podlahách s odpovedajúcou nosnosťou. Pri inštalácii je nutné dbať na zaistenie dostatočného prístupu pre čistenie krbu, dymovodu a komína.

Krb musí byť pri prevádzke, ale aj mimo nej uzavretý, lebo inak sú ďalšie spotrebiče pripojené na komín výrazne ovplyvnené. Spaľovací priestor je ohraničený plechovým plášťom, zvnútra vyplnený šamotovými tvarovkami. V spodnej časti spaľovacieho priestoru je ložisko s liatinovým roštom. Pod roštom je popolová krabica. Príkladacie dvierka sú utesnené tesniacou šnúrou. Smú byť otvárané len pre dodávku paliva. Príkladacie dvierka sú zasklenené tepelne vysoko odolným keramickým sklom.

Najmenšie rozmery čelného otvoru v obklade krbu sú: šírka 600 mm a výška 850 mm. Povrchové teploty obkladu môžu byť v závislosti na koeficiente tepelného odporu použitého stavebného materiálu a jeho hrúbky v rozmedzí 30 a 80 °C.

POZOR: pri reklamáciach alebo objednávkach náhradných dielov uvádzajte vždy názov, typ a výrobné číslo uvedené na údajovom štítku.

1.2 Technické údaje

Menovitý tepelný výkon [kW]	9
Tepelný tok do priestoru [kW]	9
Účinnosť pri menovitom výkone [%]	min 79 %
Prevádzkový ťah komína [Pa]	drevo = 13 Pa, hnedouhoľné brikety = 10 Pa
Hlavné rozmery [mm]:	
- šírka	587
- hĺbka (bez rukoväte)	465
- výška	790÷870
Priemer odťahového hrdla [mm]	150
Výška po spodný okraj odťahového hrdla [mm]	odťahové hrdlo je len hore
Objem popolovej krabice [dm ³]	3,55
Hmotnosť cca [kg]	94
Doporučené palivo:	
- suché tvrdé drevo (buk, dub) – výhrevnosť cca 15 MJkg ⁻¹	
- brikety z hnedého uhlia – palivo I. triedy skupina C, výhrevnosť 18 ÷ 21MJkg ⁻¹	
Približná spotreba doporučeného paliva pri menovitom výkone [kg·hod ⁻¹]:	
- drevo	2,80
- brikety z hnedého uhlia	2,20
Vykurovacia schopnosť [m ³]:	
- priaznivý typ konštrukcie stavby	> 200
- menej priaznivý typ konštrukcie stavby	173
- nepriaznivý typ konštrukcie stavby	114
Normy: STN 06 1201, STN EN 13229, STN 73 4201, STN 73 4210, STN 92 0300	

1) Prevádzkový ťah komína sa určí v priebehu prevádzky krbu pri zatvorených dverkách a pri nastavení regulačných šupátok podľa bodu 2.4.

1.3 Pripojenie na komín

Pri inštalácii dodržať všetky príslušné projektové, bezpečnostné a hygienické smernice v zmysle vyhlášky č.84/97. Údaje pre výpočet komína (pri menovitom tepelnom výkone):

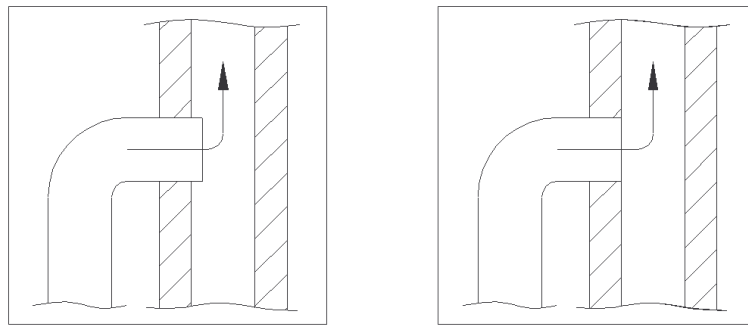
Palivo	Brikety z hnedého uhlia	Drevo
Hmotnostný prúd spalín [gs^{-1}]	7,9	7,4
Max. teplota spalín za odťahovým hrdlom [$^{\circ}\text{C}$]	347	347
Min. ťah pri menovitom tepelnom výkone [Pa]	10	13

Krb je vhodný na pripojenie viacnásobne obsadených komínov, to znamená, že na komín, na ktorom je pripojený krb smie byť pripojených viac spotrebičov.

Pred pripojením krbu sa presvedčte, či je dostatočný ťah v komíne. Plameň zapáleného papiera alebo sviečky má byť vtiahnutý do komínového otvoru. Krb má byť pripojený na komínový sopúch najkratším smerom.

Krb na komínový prieduch musí byť vždy pripojený so súhlasom príslušného kominárskeho podniku v súlade s STN 73 4210 a STN 73 4201. Keď nemôže byť krb pripojený na komínový sopúch bezprostredne, má byť príslušný dymovod v daných možnostiach čo najkratší a smerom ku komínu stúpať. Dymovody môžu byť max.1,5 m dĺžky. V každom prípade je potrebné dymové koleno alebo rúru nasadené na odťahové hrdlo poistiť proti uvoľneniu kolíkom. Dymové rúry a kolena musia byť medzi sebou a krbom pevne a tesne spojené a zasunuté do seba na dĺžku min.40 mm v smere komínového ťahu. Otvor komína musí byť opatrený plechovým púzdom, ktorý svojim priemerom zodpovedá priemeru použitých dymových rúr.

Správne a nesprávne pripojenie krbu na komín je znázornené na obr.č.1.



Pripojenie na komín
nesprávne správne
obr.č.1

Pre zaistenie bezporuchovej prevádzky musí byť ťah komína udržiavaný na hodnote $10 \div 13$ Pa (meraný v dymovej rúre za krbom). Keďže je ťah komína ovplyvňovaný meniteľnými faktormi ako je vonkajšia teplota vzduchu, teplota spalín, obloženie komína, sila vetra atď., je v priebehu roka veľmi rozdielny. Doporučuje sa teda zabudovať do komína regulačnú klapku ťahu

Krb môže dosiahnuť predpísaný výkon a účinnosť, ak je napojený na komín s dostatočným ťahom. Komín musí mať prierez min.150x150 mm a výška min. 5 metrov.

1.4 Vetranie priestoru

Pri prevádzke krbu musí byť zaistené dostatočné vetranie priestoru, to znamená prívod vonkajšieho vzduchu do priestoru, kde je krb prevádzkovaný. To sa môže uskutočniť pomocou otvoreného okna alebo pomocou otvorených vonkajších dverí. Bezpečnejšie je, ak súčasne s montážou krbu je zaistený zvláštny otvor vo vonkajšej stene v oblasti miesta postavenia krbu pre potrebný prívod vzduchu pre spaľovanie. Do otvoru sa vsadia nastaviteľné vetracie mreže, ktoré sa otvárajú a zatvárajú z vnútra. Krb potrebuje pri spaľovaní dreva až 20 m^3 čerstvého vzduchu za hodinu.

Nedostatočný prívod vzduchu je na úkor funkcie krbu a ohrozuje Vašu bezpečnosť!

Nechajte preskúšať správnu montáž Vašho krbu, pripojenie komína a vetranie Vaším kompetentným kominárom.

1.5 Protipožiarna bezpečnosť

Pri inštalácii je treba prísne dodržiavať zásady požiarnej ochrany obsiahnuté v STN 92 0300.

V prípade blízkosti horľavých stavebných hmôt a predmetov o stupni horľavosti B, C1 a C2 podľa STN 73 0823 postavte krb s príslušným dymovodom do bezpečnej vzdialenosti, ktorá je min. 400 mm od týchto predmetov. Bezpečnú vzdialenosť je

treba zdvojnásobiť, ak by bol krb s dymovodom postavený v blízkosti hmôt stupňa horľavosti na C3. To isté treba urobiť i vtedy, keď stupeň horľavosti horľavej hmoty nie je preukázaný.

Bezpečnostná vzdialenosť sa môže znížiť na polovicu pri použití nehorľavej, tepelne izolujúcej tieniacej dosky o hrúbke min. 5 mm umiestnenej tak, aby medzi doskou a chráneným horľavým predmetom zostala 25 mm vzdušná medzera.

Keď je podlaha z horľavého materiálu, postavte krb na nehorľavú, tepelne izolujúcu podložku, ktorá svojimi rozmermi presahuje obrys krbu vpredu o 300 mm a na ostatných stranách najmenej o 100 mm. Najmenšie rozmery podložky a spôsob jej umiestnenia sú znázornené na obr.č.2. Tieniaca doska umiestnená na chránenom predmete musí presahovať obrys krbu včítane dymových rúr na každej strane najmenej o 150 mm a nad jeho hornou plochou najmenej o 300 mm.

V prípade vzniku požiaru v komíne postupovať v zmysle požiaro-bezpečnostných predpisov.

Bezpečnostná vzdialenosť medzi vonkajším plášťom krbu (na bokoch a vzadu) a vnútornou stenou výmurovky musí byť minimálne 20 cm.

Minimálna veľkosť nasávacieho otvoru interiérového vzduchu je 20x20 cm. Minimálna veľkosť výfukového otvoru ohriateho vzduchu je dvojnásobok veľkosti nasávacieho otvoru.

Obklad krbu musí byť z nehorľavého materiálu.

2. Návod na obsluhu

2.1 Dôležité bezpečnostné inštrukcie

Za okolností vedúcich k nebezpečeniu prechodného vzniku horľavých plynov alebo pri prácach s nebezpečím požiaru alebo výbuchu (napr. lepenie podlahovín a pod.), musí byť krb pred vznikom nebezpečia z prevádzky odstavený.

Krb musí byť obsluhovaný podľa tohto návodu.

Obsluhovať krb smú len dospelé osoby, ponechať deti pri krbe, ktorý je v prevádzke, je neprípustné.

Na zakurovanie nesmú byť použité žiadne horľavé kvapaliny.

POČAS PREVÁDZKY JE ZAKÁZANÉ ZVYŠOVAŤ MENOVITÝ VÝKON KRBU POUŽÍVANÍM HORĽAVÝCH KVAPALÍN.

Krb nesmie byť prevádzkovaný s otvorenými prikladacími dvierkami.

Popol treba vynášať pozorne a odkladať ho do nehorľavých nádob s vekom, horúci popol nesmie byť odkladaný do popolníc ani skladovaný na voľnom priestore.

Poškodený krb, funkčne nespôsobilý, sa nesmie používať. Užívateľ sa musí postarať o jeho odbornú opravu pred pokračovaním v prevádzke.

Stav hromadenia popolčeka v dymovej rúre a kolene treba kontrolovať mesačne aspoň raz a podľa potreby vykonať čistenie.

Počas prevádzky nesmú byť všetky prívody vzduchu na krbe uzatvorené.

Za prevádzky je potrebné občas dohliadať na funkciu krbu a protipožiarnu bezpečnosť. Treba kontrolovať stav paliva v ohnisku, zanesenie roštu popolom, stav regulačných orgánov spaľovacieho vzduchu, či sú dvierka riadne zavreté a kontrolovať čistotu okolia.

Prasklina šamotovej tvarovky v ohnisku nie je prekážkou na ďalšie prevádzkovanie spotrebiča. Neplatí to pre stropný vermikulit.

Pri súčasnej prevádzke s iným tepelným zariadením musí byť zabezpečené dostatočné vetranie priestoru (viď bod 1.4).

2.2 Palivo

Krb je vhodný pre palivá: drevo, brikety z hnedého uhlia dĺžky 7",6".

Emisná norma predpisuje, že používané môže byť len suché prirodzene vyschnuté drevo (obsah vlhkosti max. 20%). Vlhké drevo vyvoláva silné zrážanie dechtu. Najlepšie sú vhodné drevené polená s obvodom cca 30 cm a dĺžky 30 cm skladované v suchu najmenej 2 roky. Vhodné je bukové, dubové, hrabové, brezové drevo a drevo ovocných stromov.

Nevhodné prípadne neprípustné palivá:

Môžu byť používané len palivá menované v bode 2.1.

Okrem toho nesmie byť spaľovaná: uhoľná drť, jemne sekané triesky, kôrový a drevotrieskový odpad, vlhké a ochrannými prostriedkami ošetrené drevo, papier a lepenka (okrem zakúrenia).

Spaľovanie odpadu je zakázané podľa zákona na ochranu proti emisiám.

Spaliny vznikajúce pri spaľovaní odpadu môžu ohrozovať Vaše zdravie a spôsobiť škody na šamotových a kovových častiach Vášho krbu a na komíne.

2.3 Nastavenie krbu

Krb má nastavovacie zariadenia pre prívod a reguláciu spaľovacieho prúdu vzduchu:

- primárny vzduch: jedno nastavovacie šupátko na prikladacích dvierkach dole

- sekundárny vzduch: jedno nastavovacie šupátko na prikladacích dvierkach hore

Nastavovacie šupátka sú opatrené značkami: "0" – zatvorené, "1" – otvorené

POZOR: jednotlivé manipulačné prvky môžu byť veľmi horúce! Pri manipulácii v horúcom stave je treba používať rukavicu, ktorá je dodaná ako príslušenstvo.

2.4 Zakúrenie

Pred zakúrením treba otvoriť všetky prívody vzduchu (šupátka na "1"). Súčasne treba dbať na prívod vzduchu do miestnosti (viď bod 1.4). Interval dodávky doporučeného paliva pri menovitom tepelnom výkone je jedna hodina.

Oheň sa zapáli pomocou papiera a tenkých drevených triesok. Nikdy nepoužívať benzín, lieh, petrolej atď. Na horiaci oheň sa položí vrstva drevených polien a brikiet.

Nikdy nemá byť položené viac ako tri drevené polená ako nálož paliva.

Pri uvedení krbu do prevádzky sa uskutoční prvé rozhorenie malým ohňom. Oheň sa najskôr pomaly zväčší, aby sa mohol krb pomaly a rovnomerne roziahnuť a krbové teleso neutrpelo žiadne poškodenie v dôsledku tepelných napätí.

Pre dosiahnutie tohto stavu sa šupátka primárneho a sekundárneho vzduchu okamžite (ako náhle oheň dobre horí) nastaví na stredné nastavenie.

Keď vzniknú pri zakurovaní ťažkosti (zmeny počasia, studený komín atď.), tak sa v krbe pomocou papiera založí lokálny oheň a tým sa krb lepšie uvedie do chodu. Počas fázy zakúrenia je potrebné spaľovanie trvale kontrolovať a krb nepretržite pozorovať.

Krb je opatrený žiaruvzdornou farbou, ktorá vytvrdzuje pri vyšších teplotách. Preto dochádza počas fázy prvého kúrenia k tvorbe zápachu.

Z tohoto dôvodu musí byť hlavne pri uvedení krbu do prevádzky zabezpečené dostatočné vetranie.

Pri uvádzaní do prevádzky nedoporučujeme dotýkať sa vonkajšieho laku krbu, ešte nevytvrdené lakovanie krbu by mohlo byť dotykcom poškodené.

2.5 Normálna prevádzka

Menovitý tepelný výkon dosiahne krb pri ťahu komína $10 \div 13$ Pa (podľa druhu paliva) pri nasledovnom nastavení otvorov prívodov spaľovacieho vzduchu:

Menovitý tepelný výkon	Drevo (buk, dub)	Brikety z hnedého uhlia
Primárny vzduch (dole)	šupátko zatvoriť	šupátko otvoriť úplne
Sekundárny vzduch(hore)	šupátko otvoriť úplne	šupátko zatvoriť

Pre dosiahnutie dobrého spaľovania je nutné pri použití dreva privádzať spaľovací vzduch cez sekundárne šupátko a pri použití brikiet cez šupátko primárneho vzduchu.

Prevádzka pri minimálnom príkone (malá potreba tepla) bude dosiahnutá podľa nasledovného nastavenia otvorov prívodov spaľovacieho vzduchu.

Minimálny príkon	Brikety z hnedého uhlia
Primárny vzduch (dole)	šupátko otvoriť do 1/2
Sekundárny vzduch(hore)	šupátko otvoriť do 1/3

Okrem nastavenia šupátok spaľovacieho vzduchu je komín dôležitým faktorom vplyvu na intenzitu spaľovania a tým na vykurovací výkon Vášho krbu. Zvýšený ťah komína potrebuje menší prívod spaľovacieho vzduchu, menší ťah komína vyžaduje väčší prívod spaľovacieho vzduchu.

Pri použití drevených polien má byť množstvo spaľovacieho vzduchu najprv redukované až je drevo dokonale prepálené (malý oheň). Ak má tento spôsob postupu za následok príliš vysoký vykurovací výkon, musí byť pridané menšie množstvo paliva.

Optimálna regulácia spaľovania vyžaduje skúsenosť, hlavne vtedy, keď ťah komína nie je konštantný alebo sa používa palivové drevo so striedajúcou sa kvalitou.

Pri príliš silnom ťahu komína alebo ak je naložené príliš mnoho palivového materiálu, je nebezpečie prehriatia laku krbu. Lak sa zafarbuje striebristo-bielo a v krátkom čase sa odlupuje od krbu. Za takéto poškodenie laku nepreberá výrobca žiadnu záruku. Túto optickú závalu môžete opraviť krbovým lakom (sprejom).

2.6 Prevádzka v prechodnom období

Pri vonkajších teplotách približne nad 15°C môže nastať pri malom výkone spaľovania za určitých podmienok ohrozenie ťahu komína, takže neodťahuje spaliny úplne (dymenie, zápach spálín). V takomto prípade prečistite rošt a zvýšte prívod spaľovacieho vzduchu. Prikladajte postupne menšie množstvo paliva a prečisťujte rošt častejšie. Uzavrte dvierka a šupátka vzduchu ostatných na rovnaký komín napojených spotrebičov, ktoré nie sú v prevádzke. Skontrolujte čistiace otvory komína na tesnosť.

2.7 Odpopoľňovanie

Pre zaistenie bezporuchovej prevádzky je nutné, aby bol krb včas a pravidelne odpopoľňovaný. Nádoba s popolom musí byť včas vyprázdňovaná, aby mohol spaľovací vzduch roštom pravidelne prúdiť. Ináč hrozí nebezpečenstvo, že popol pod roštom by bránil prúdeniu vzduchu a rošt v dôsledku chýbajúceho chladenia sa prehreje a deformuje.

Krb musí byť odpopoľnený pred naložením paliva.

2.8 Čistenie a údržba

V závislosti na hustote prevádzky krbu je nutné tento raz alebo viackrát ročne vyčistiť (pri studenom krbe). Čistenie sa vykonáva nasledovne:

Dymová rúra sa demontuje a vonku sa v odpovedajúcej nádobe vyčistí. Zberný priestor spalín môže byť vyčistený pomocou oceľovej kefy, štetca a vysávača prachu. Následne musí byť dymová rúra opäť nasadená medzi komín a odťahové hrdlo krbových kachlí.

POZOR: Krb smie byť po čistení uvedený opäť do prevádzky len, keď sú zabudované všetky diely vybraté pri čistení.

Krb je na vonkajšej strane nastriekaný žiaruvzdornou farbou. Keď je farba vytvrdená (po niekoľkých hodinách pri menovitom tepelnom výkone), môže byť suchou utierkou očistený povrch.

Táto žiaruvzdorná farba nie je odolná voči vlhkosti. Nedávajte preto na krb žiadne predmety, lebo by sa mohli vytvoriť hrdzavé flaky. Sklo v príkladacích dvierkach môže byť čistené pri ľahkej usadenine obvyklým čističom skla. Pevnú usadeninu je možné odstrániť pomocou čističa pripečenín alebo jemnou oceľovou vlnou.

POZOR: sklo môže mať veľmi ostré hrany, preto pri výmene skla bezpodmienečne manipulovať s ochrannými rukavicami!

Ak je krb neprevádzkovaný dlhšiu dobu, pred začatím ďalšej prevádzky je nutná kontrola prípadného upchatia krbu, dymovodu alebo komína.

2.9 Príčiny porúch a ich odstránenie

V prípade, že počas prevádzky Vašho krbu vzniknú poruchy, napr. dymenie, spojte sa s Vaším kompetentným kominárom. Ak vzniknú na Vašom krbe škody, obráťte sa na obchod, kde ste krb kúpili. Ďalej sú uvedené príčiny možných porúch a ich odstránenie.

Druh poruchy	Možná príčina	Odstránenie
Tvorba zápachu	Vysušenie použitej ochrannej farby, vyparovanie zvyškov oleja	Krb prevádzkovať podľa návodu na obsluhu niekoľko hodín s malým výkonom. Potom niekoľko hodín kúriť na max. výkon.
Príliš malý tepelný výkon	Zvolený výkon je príliš malý Nedostatočný ťah komína Dymová rúra je nedostatočne pripojená	Potrebu tepla nechať skontrolovať odborníkom. Ťah komína musí byť 10÷13 Pa podľa druhu paliva! Skontrolovať komín na tesnosť. Dvierka ostatných spotrebičov pripojených na komín musia byť tesne uzavreté. Dbajte na tesnosť čistiacich uzáverov. Prípadne použiť 1,5 m dlhú zvislú dymovú rúru (nábehová dráha). Skontrolovať dymovú rúru
Krb čmudí a dymí	Dym je nedostatočne odvádzaný (zapchatý komín alebo vratné prúdenie v komíne) Komín je príliš slabý Spaľovanie vlhkého dreva	Ak krb čmudí a dymí, je príčina takmer vždy v oblasti vedenia spalín. Skontrolovať dymovú rúru a ťah komína, prípadne sa poradiť s kominárom. Používať len dobre vysušené drevo
Sklo v príkladacích dvierkach sa v krátkom čase začerní sadzami	Nesprávne spaľovanie napr. vlhkým drevom Dym nie je dostatočne odvádzaný (zapchatý komín alebo vratné prúdenie v komíne)	Používať len dobre vysušené drevo Skontrolovať dymovú rúru a ťah komína, prípadne sa poradiť s kominárom
Krb kúri príliš silne	Tesnenie príkladacích dvierok poškodené	Tesnenie vymeniť

Bafnutie	Občas zapchatý komín alebo vratné prúdenie v komíne Keď sú uzavreté všetky prívody vzduchu Naložené príliš veľa paliva	Poradiť sa kominárom Počas prevádzky nesmú byť všetky prívody vzduchu uzavreté. Príkladať len jednu vrstvu
Škody na rošte	Rošt sa prepálil, je okujený alebo spálený	Prepálenie roštu treba vždy pripísať preplnenej popolovej krabici. Rošt nie je správne chladený, popolovú krabicu včas vyprázdňovať

2.10 Zoznam príslušenstva

- ochranná rukavica

2.11 Zoznam náhradných dielov

- príkladacie dvierka
 - sklo príkladacích dvierok
 - tesniaca šnúra príkladacích dvierok
 - rukoväť príkladacích dvierok
 - šamotové tehly, stropný vermiculit
 - popolová krabica
 - liatinový rošt
 - liatinový chránič skla pre RIA III-A
- Používať len tieto náhradné diely.

3. Záruka

Keď sa vyskytne v záručnej dobe na Vašom krbe funkčná vada alebo vada povrchovej úpravy, neopravujte ju nikdy sami. Záručné a pozáručné opravy vykonáva výrobca.

Za akosť, funkciu a vyhotovenie krbu ručíme 2 roky od dňa predaja spotrebiteľovi a to tak, že chyby vzniknuté dokázateľne následkom chybného zhotovenia odstránime v krátkom čase na naše náklady s podmienkou, že krb:

- bol obsluhovaný presne podľa návodu,
- bol pripojený na komín podľa platných noriem,
- nebol násilne mechanicky poškodený,
- neboli vykonané úpravy, opravy a neoprávnené manipulácie.

Pri reklamácií treba udať presnú adresu a uviesť okolnosti, za ktorých k nej došlo. Reklamáciu prešetríme, keď k reklamácií predložíte záručný list opatrený dátumom predaja a pečiatkou predajne.

Pri kúpe si vo vlastnom záujme vyžiadaťe čitateľne vyplnený záručný list. O spôsobe a mieste opravy sa rozhodne v našom podniku.

Pri zakúpení spotrebiča skontrolujte sklo príkladacích dvierok a šamotové tehly. Prípadnú reklamáciu na poškodené sklo alebo poškodené šamotové tehly výrobca akceptuje len po prvom zakúrení v spotrebiči.

Je neprípustné spotrebič prevádzkovať pri tepelnom preťažení, to značí:

- množstvo použitého paliva je väčšie ako je doporučené
- množstvo spaľovacieho vzduchu je väčšie ako je doporučené
- používanie neprípustných druhov palív

Tepelné preťaženie sa môže prejavíť:

- deformáciou stropu ohniska
- prepálením roštu
- prasknutím šamotových tehál

V prípade nesprávneho prevádzkovania výrobca neakceptuje reklamáciu na spotrebič.

Pre výmenu výrobku alebo zrušenie kúpnej zmluvy platia príslušné ustanovenia Občianskeho zákonníka a Reklamačného poriadku.

Návod k instalaci a obsluze krbové vložky na pevná paliva

CZ
RIA III – A
testována dle EN 13229

1. Návod k montáži**1.1 Obecně**

Krbová vložka na dříví (dále jen krb) je vytápěcí zařízení, které v přechodové době nahrazuje stávající vytápění pro krátkou dobu a nebo je podporuje ve studených ročních obdobích. Krb je určen pro lokální vytápění. Krb je zbúsobilý dočasného provozu. Je určen pro obvyklé prostředí podle ČSN 33 0300.

Krb byl zkoušen dle ČSN EN 13229 s palivem dřevo. Splňoval podmínky této normy.

Všechny místní, včetně předpisů, které sa týkají návodních a evropských norem, musí být při montáži krbu dodrženy.

Před postavením krbu třeba informovat příslušného okresního komínářského mistra. Jako odborník zkontroluje po postavení krbu jeho řádné připojení na komín.

Krb musí být instalován na podlahách s odpovídající nosností. Při instalaci je nutné dbát na zajištění přiměřeného přístupu pro čištění krbu, kouřovodu a komína.

Krb musí při provozu a stání zůstat uzavřen, nebo jinak jsou další spotřebiče připojené na komín výrazně ovlivněna. Příkládací dvířka krbu smí být otevřeny pouze pro dodávání paliva.

Nejmenší rozmery čelního otvoru v obložení krbu jsou: šířka 600 mm a výška 850 mm.

Povrchové teploty obložení můžou být v závislosti na koeficientu tepelního odporu použitelného stavebního materiálu a jeho hroubky v rozmezí 30 až 80 °C

POZOR: při zpětných dotazech nebo objednávkách náhradních dílů uvádějte vždy typ krbu a výrobní číslo uvedené na štítku krbu.

1.2 Výkon, schopnost vytápění prostoru

Jmenovitý tepelný výkon [kW]	9
Tepelný tok do prostoru [kW]	9
Účinnost při jmenovitém výkonu [%]	min 79 %
Provozní tah komína [Pa]	10 ÷ 13
Hlavní rozmery [mm]: - Šířka - hloubka (bez rukojeti) - výška	587 465 790 ÷ 870
Průměr odtahového hrdla [mm]	150
Objem popelové krabice [dm ³]	3,55
Hmotnost cca [kg]	94
Doporučené palivo: - suché tvrdé dřevo (buk, dub) – výhřevnost cca 15 MJkg ⁻¹ - hnědouholné brikety – výhřevnost 18÷21 MJ kg ⁻¹	
Přibližná spotřeba doporučeného paliva při jmenovitém výkonu [kg·hod ⁻¹]: - dřevo - hnědouholné brikety	2,80 2,20
Vytápěcí schopnost [m ³]: - příznivý typ konstrukce stavby - méně příznivý typ konstrukce stavby - nepříznivý typ konstrukce stavby	>200 173 114
Normy: EN 13229	

1.3 Připojení komína

Krb je vhodný pro připojení vícenásobně obsazených komínů, to znamená, že na komín, na kterém je připojen krb, smí být připojeno více spotřebičů.

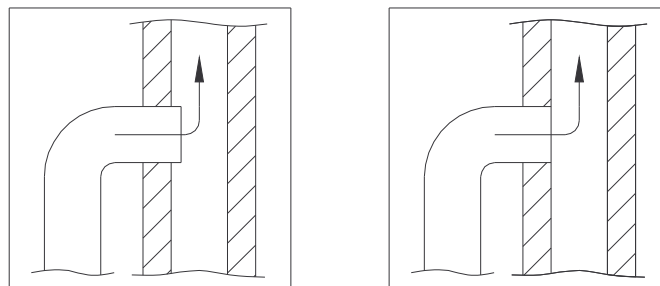
Data pro výpočet komína (při jmenovitém tepelném výkonu):

Palivo	Hnědouholné brikety 7''	Dřevo
Hmotnostní proud spalin [gs^{-1}]	7,9	7,4
Max. teplota spalin za odtahovým hrdlem [$^{\circ}\text{C}$]	347	347
Min. tah při jmenovitém tepelném výkonu [Pa]	10	13

Krb musí být vždy připojen na komínový průduch se souhlasem příslušného kominického podniku v souladu s ČSN 73 4210 a ČSN 73 4201.

Pokud nemůže být krb připojen bezprostředně na komínový sopouch, má být příslušný kouřovod v daných možnostech co nejkratší a stoupat směrem ke komínu. Kouřovody mohou být dlouhé max. 1,5 m. V každém případě je nutné, aby kouřové koleno nebo trubka nasazené na odtahové hrdlo, byly pojištěny proti uvolnění kolíkem. Kouřové trubky a kolena musí být mezi sebou a sporákem nasazeny pevně a těsně a zasunuty do sebe v délce min. 80 mm ve směru komínového tahu. Otvor komína musí být opatřen plechovou zděří, která svým průměrem odpovídá průměru použitých kouřových trubek.

Správné a nesprávné připojení krbu na komín je znázorněno na obr.č.1



nesprávně Připojení na komín správně
obr.č.1

Při připojení kouřové trubky na komín je třeba zajistit, aby kouřová trubka nepřechývala do volného prostoru komína. Je výhodné použít pro připojení na komín dvojitou stěnovou vložku, která je k dostání v odborném obchodě.

Pro zajištění bezvadného provozu krbu musí být tah komína udržován na hodnotě 10 až 13 Pa, měřeno ve kouřové trubce za krbem.

Jelikož je tah komína ovlivňován více měnitelnými faktory vlivu jako je venkovní teplota vzduchu, teplota spalin, obložení komínu, síla větru atd., je v průběhu roku velmi rozdílný. Doporučuje se tedy zabudovat zařízení vedlejšího vzduchu do komína (regulační klapka tahu).

1.4 Větrání prostoru

Při provozu musí být zajištěno dostatečné větrání prostoru, to znamená přívod venkovního vzduchu do prostoru postavení. To se může uskutečnit pomocí otevřeného okna a nebo pomocí otevřených venkovních dveří. Bezpečnější však je je-li současně s postavením krbu zajištěn zvláštní otvor ve venkovní stěně v oblasti místa postavení krbu pro potřebný přívod vzduchu pro spalování. Do otvoru se vsadí nastavitelné větrací mřížky, které se nechají otevírat a zavírat ze strany prostoru. Krb potřebuje při spalování dřeva až 15 m^3 čerstvého vzduchu za hodinu. Větrací mřížky umístit tak, aby nedošlo k jejich ucpání.

Nedostatečný přívod vzduchu je na úkor funkce krbu a ohrožuje Vaši bezpečnost!

Mějte na paměti, že kryt na odvádění pár odpadního vzduchu, který je provozován ve stejných nebo přilehlých prostorách, vyrábí podtlak v prostoru. To může vést k vystupování spalin do prostoru postavení peci, jestliže je do prostoru přiváděno příliš málo vzduchu zvenčí.

Nechte přezkoušet řádné postavení Vašeho krbu, připojení komína a větrání Vaším kompetentním okresním kominářským mistrem.

1.5 Požární bezpečnost

Při instalaci je nutno přísně dodržet zásady požární ochrany, která je uvedena v ČSN 06 1008.

V případě blízkosti hořlavých stavebních hmot a předmětů podle stupně hořlavosti B, C 1 a C 2 podle norem ČSN 73 0823, postavte krb s příslušným kouřovodem do bezpečné vzdálenosti, která je minimálně 400 mm od těchto předmětů.

Bezpečnou vzdálenost je nutno zdvojnásobit v případě, když by byl krb s kouřovody postaven v blízkosti hmot podle stupně hořlavosti C 3. Stejně tak je nutno udělat totéž v případě, že stupeň hořlavosti není známý.

Bezpečnostní vzdálenost může být snížena na polovinu při použití nehořlavé, tepelně izolující stínící desky o síle 5 mm, která je umístěna tak, aby mezi deskou a chráněným hořlavým předmětem zůstala vzdušná mezera 25 mm.

Pokud je podlaha z hořlavého materiálu, postavte krb na nehořlavou, tepelně izolující podložku, která svými rozměry přesahuje obrys krbu vpředu o 300 mm a na ostatních stranách nejméně o 100 mm. Nejmenší rozměry podložky a způsob jejího umístění jsou znázorněny na obr.č.2.

Stínící deska umístěná na chráněném předmětu musí přesahovat obrys krbu včetně kouřovodu na každé straně nejméně 150 mm a nad jeho horní plochou nejméně 300 mm.

Vyčištění topeniště od zbytků topení vykonávat jenom, když je krb mimo provoz tak, aby popel a jeho zbytky propadly do popelové krabice, kterou pak pomocí ochranné rukavice vybereme a její obsah vysypeme do popelnice s uzavíratelným víkem. V případě požáru v komíně okamžitě uzavřít všechny dvířka krbu a přívody spalovacího vzduchu a přivolat požární zbor.

2. Návod k obsluze

2.1 Důležité bezpečnostní instrukce

Za okolností vedoucích ke vzniku přechodného vzniku hořlavých plynů nebo při pracích s nebezpečím požáru nebo výbuchu (např. lepení podlahovin apod.), musí být krb včas před nebezpečím vzniku požáru odstaven.

Krb musí být obsluhován podle tohoto návodu. Obsluhovat krb smí jen dospělé osoby a ponechat u krbu, který je v provozu, děti je nepřipustné.

K zatápění nesmí být použity žádné hořlavé kapaliny.

Při provozu je zakázáno zvyšovat jmenovitý výkon krbu použitím hořlavých kapalin.

Krb nesmí být provozován s otevřenými příkladacími dvířkami.

Popel je třeba vynášet pozorně a odkládat ho do nehořlavých nádob s víkem.

Poškozený krb, funkčně nezpůsobilý se nesmí používat. Uživatel se musí postarat o jeho odbornou opravu před pokračováním provozu.

Stav hromadění popelu v kouřovodu je nutné kontrolovat měsíčně jeden krát a podle potřeby vykonat čištění.

Počas provozu nesmí být všechny přívody vzduchu na krbu uzavřeny.

Za provozu je nutno občas dohlížet na funkci krbu a požární bezpečnost. Je nutno kontrolovat stav paliva v ohništi, zanesení roštu popelem, stav regulačních orgánů spalovacího vzduchu, zda jsou zavřena dvířka a kontrolovat čistotu okolí krbu, zda se tam nenacházejí hořlavé předměty.

Prasklina šamotové tvarovky není překážkou na další provozování krbu. Neplatí to pro stropní vermiculit.

2.2 Palivo

Krb je vhodný pro palivo dřevo a hnědouhelné brikety délky 7''

Ochranný zákon o emisích předepisuje, že pouze suchá přirozeně vyschlá dřeva (obsah vlhkosti nejvýše 20 %) smí být používán jako palivo pro malá topeniště. Mokrý dřevo vede k silnější tvorbě téru. Nejlépe jsou vhodná dřevěná polena o objemu cca 30 cm a délce 30 a 35 cm, skladovaná v suchu cca 2 roky, bukové, dubové, březové dřevo nebo dřevo ovocných stromů.

Nevhodná případně nepřipustná paliva:

Smí být používána pouze paliva, jmenovaná v bodě 2.1. Mimo jiné nesmí být spalována: uhelná drť, jemně sekané třísky, kůrový a dřevotřískový odpad, vlhké a ochrannými prostředky ošetřené dřevo, papír a lepenka (mimo pro zapálení).

Spalování odpadu je zakázáno dle zákona na ochranu proti emisím.

Spaliny vznikající při spalování odpadu mohou ohrožovat Vaše zdraví jakož i způsobit škody na šamotových a kovových dílech Vašeho krbu a na komínu.

2.3 Seřizovací zařízení

Krb má tři seřizovací zařízení pro nastavení spalovacího proudu vzduchu:

- primární vzduch: jedno nastavovací šoupátko na příkladacích dvířkách dole

- sekundární vzduch: jedno nastavovací šoupátko na příkladacích dvířkách nahoře

Nastavovací šoupátka jsou opatřené značkami: „0“ (zavřené), „1“ (otevřené)

POZOR: jednotlivé manipulační prvky jsou částečně velmi horké! Při obsluze v horkém stavu je třeba použít jako příslušenství spoludodanou ochranou rukavici.

2.4 Zapálení a roztopení

Před zapálením je třeba otevřít všechna spalovací šoupátka na přední straně krbu. Současně je třeba dbát o přívod vzduchu do místa postavení (viz bod 1.4).

Nyní se zapálí oheň za pomoci zapalovacích kostek nebo papíru, jakož i dřevěných třísek. Nikdy nepoužívat benzin, líh nebo petrolej atd. Na hořící oheň se nyní položí vrstva dřevěných polen nebo briket. **Nikdy nemá být položeno více než tři dřevěná polena pro nálož paliva.**

Je třeba respektovat, že při uvedení krbu do provozu se skutečný prvé rozhoření malým ohněm. Oheň se teprve pomalu zvětší, aby se mohl krb pomalu a rovnoměrně roztáhnout a krbové těleso neutrpělo žádná poškození v důsledku tepelných napětí. Pro dosažení toho se šoupátko primárního a sekundárního vzduchu okamžitě jakmile oheň dobře hoří nastaví na střední nastavení.

Vzniknou-li při zapalování těžkosti (přechodová doba, studený komín atd.) použije se v krbu pomocí zmačkaného papíru lokální oheň a tím se krb lépe uvede do chodu. Během fáze roztápění je třeba spalování trvale kontrolovat a krb nepřetržitě pozorovat.

Krb je opatřen žáruvzdornou barvou, která vytvrzuje při vyšších teplotách. Proto dochází během prvního topení ke tvorbě zápachu. Z toho důvodu musí být zejména při uvádění do provozu pečováno o dobré větrání.

Venkovního laku krbu není dobře při uvádění do provozu se dotýkat. Ještě nevytvrzené lakování pece by mohlo být dotykem poškozeno.

2.5 Normální provoz

Jmenovitý tepelný výkon dosáhne krb při tahu komína 10 ÷ 13 Pa (dle druhu paliva) při následujícím nastavení otvorů spalovacího vzduchu (porovnej 2.2):

	Dřevo (buk, dub)	Hnědouholné brikety
Primární vzduch	šoupátko zavřít	šoupátko otevřít úplně
Sekundární vzduch	šoupátko otevřít úplně	šoupátko zavřít

Pro dosažení dobrého spalování nutno při použití dřeva přivádět spalovací vzduch přes sekundární šoupátko a při použití briket přes šoupátko primárního vzduchu.

Při malé potřebě tepla se šoupátko primárního vzduchu při spalování briket dále uzavrou. Při použití dřeva nastane redukce výkonu pomocí šoupátka sekundárního vzduchu.

Provoz při minimálním příkone (malá potřeba tepla) bude dosažen podle následujícího nastavení otvorů spalovacího vzduchu:

Minimální příkon	Hnědouholné brikety
Primární vzduch	šoupátko otevřít do 1/2
Sekundární vzduch	šoupátko otevřít do 1/3

Kromě nastavení šoupátka spalovacího vzduchu je komín důležitou veličinou vlivu na intenzitě spalování a tím na vytápěcí výkon Vašeho krbu. Zvýšený tah komína potřebuje menší nastavení spalovacího vzduchu, menší tah komína vyžaduje větší nastavení spalovacího vzduchu.

Při použití dřevěných polen má být množství spalovacího vzduchu nejdříve redukováno až je dřevo dokonale propálené (malý oheň). Má-li tento způsob postupu za následek příliš vysoký vytápěcí výkon, musí být nakládáno menší množství paliva.

Optimální regulace spalování vyžaduje zkušenost, zejména tehdy, jestliže tah komína není konstantní nebo přicházejí v úvahu střídající se kvality palivového dřeva.

Při příliš silném tahu komína a nebo je-li naloženo příliš mnoho palivového materiálu je nebezpečí přehřátí laku krbu. Lak se zabarvuje stříbřitě/bíle a v krátkém čase se odlupuje od krbu. Za taková poškození laku nepřebírá výrobce žádnou garanci. Můžete tuto optickou závadu opravit v obchodě obvyklým krbovým lakem (např. sprejovou dózou).

2.6 Provoz v přechodové době

Při venkovních teplotách nad přibližně 15 °C může dojít při malém výkonu spalování za určitých podmínek k ohrožení tahu komína, takže neodtahuje spaliny úplně (kouření, zápach spalin). V tom případě pročistěte rošt a zvyšte spalovací vzduch. Nakládejte postupně menší množství paliva a pročištějte rošt častěji. Uzavřete dveře a šoupátka vzduchu ostatních, na stejný komín napojených topenišť, která nejsou v provozu. Zkontrolujte čistící otvory komína na těsnost.

2.7 Zbavování popele

Pro zajištění bezvadného provozu je nutné, aby byl krb pravidelně zbavován popele. Nádoba s popelem musí být včas vyprazdňována, aby mohl spalovací vzduch roštem pravidelně proudit a nebylo mu bráněno shromažďováním popele v popelové nádobě. Jinak je nebezpečí, že je ohroženo spalování a že se rošt v důsledku chybějícího chlazení přehřeje a deformuje.

Zbavování popele musí být provedeno před naložením paliva.

2.8 Čištění a ošetřování

V závislosti na četnosti provozu krbu je nutno tento jednou nebo vícekrát ročně vyčistit (při studeném krbu). Čištění se provádí následovně:

Nahoře v ohništi vyjmeme vermiculitový strop ohniště a tím sa dostaneme do sběrného prostoru spalin. Sběrný prostor spalin může být očištěn pomocí ocelového kartáče, štětce a vysavače. Pak musí být vermiculitový strop ohniště opět nasazen. Dbejte na to, aby vermiculitový strop po montáži přiléhal vzadu těsně na vnitřní stranu krbu, takže spaliny opouštějí krb v oblasti přední stěny.

POZOR: krb smí být po čištění uvedena opět do provozu jsou-li zabudovány všechny díly použité pro čištění.

Krby jsou na vnější straně potaženy žáruvzdornou barvou. Jakmile je barva vytvrzena (po několika hodinách při jmenovitém tepelném výkonu), může být provedeno suchou utěrkou očištění povrchu. Tato žáruvzdorná barva není odolná proti vlhkosti. Nestavějte proto na krb žádné předměty. Mohly by se potní vodou tvořit lehce nepěkné rezavé fleky.

Skleněná tabule v příkládacích dvířkách může být čištěna při lehkém usazení v obchodě obvyklým čističem skla. Pevnou usazeninu lze odstranit pomocí čističe připečenin nebo jemnou ocelovou vlnou.

POZOR: skleněná tabule mohou mít velmi ostré hrany. Při výměně skleněných tabulí je bezpodmínečně nutné nasadit ochranné rukavice!

Po delší době přerušení provozu je nutné kontrola jakéhokoli ucpání krbu, kouřovodu nebo komína.

2.9 Provozní poruchy

V případě, že během provozu Vašeho krbu vzniknou poruchy, na př. výstup kouře, spojte se prosím s Vaším kompetentním kominíkem. Vzniknou-li na Vašem krbu škody, obraťte se na Vašeho obchodníka. Dále jsou uvedeny příčiny poruch a jejich odstranění.

Příčina poruchy - odstranění

Druh poruchy	Možná příčina	Odstranění
Tvorba zápachu	Vysoušení použité ochranné barvy, vypařování zbytků oleje	Krb provozovat dle návodu na obsluhu několik hodin s malým výkonem. Pak několik hodin topit na max. výkon.
Příliš malý tepelný výkon	Výkon přístroje zvolen příliš malý Nedostatečný tah komína Kouřová trubka není řádně připojena	Potřebu tepla nechat zkontrolovat odborníkem. Tah komína musí činit 10÷13 Pa (podle druhu paliva). Zkontrolovat komín na těsnost. Dveře ostatních spotřebičů připojených na komín, musí být těsně uzavřeny. Dbát na těsnost čistících uzávěrů. Event. použít 1,5 m dl. svislou kouřovou trubku (náběhová dráha) Zkontrolovat kouřovou trubku
Krb kouří a dýmí	Kouř není řádně odváděn (zácpa nebo vratný proud v komíně). Komín příliš slabý. Spalování vlhkého dřeva	Jestliže krb kouří a dýmí, je příčina téměř vždy v oblasti vedení spalin. Zkontrolovat kouřovou trubku a tah komína event. se poradit s kominíkem. Používat jen dobře vysušené dřevo.
Sklo v příkládacích dvířkách se v krátkém čase začerní sazemi	Špatné spalování např. mokrým dřevem. Kouř není řádně odváděn (ucpání nebo vratný proud v komíně).	Používat jen dobře vysušené dřevo. Zkontrolovat kouřovou trubku a tah komína. Poradit se event. s kominíkem.
Krb topí příliš silně	Těsnění příkládacích dvířek poškozené.	Těsnění obnovit.
Bafnutí	Občasná zácpa nebo vratný proud v komíně. Naloženo příliš paliva.	Poradit se s kominíkem. Nakládat pouze jednu vrstvu.
Škody na roštu	Rošt se propálil, zokujel nebo je spálený	Propálení roštu je vždy třeba vztáhnout na přeplněnou nádobu popele. Rošt není správně chlazen: nádobu s popelem včas vyprazdňovat.

2.10 Seznam příslušenstva

- ochranní rukavice

2.11 Seznam náhradních dílů

- příkládací dvířka
- sklo příkládacích dvířek
- tesnicí šnoura příkládacích dvířek
- rukojeť příkládacích dvířek
- šamotové cihly, stropní vermiculit
- rošt
- popelová krabice

Používat jenom tyto náhradní díly.

3. Záruka

V případě, že se vyskytne v záruční době na Vašem krbu funkční vada nebo vada povrchové úpravy, neopravujte si ji nikdy sami. Záruční a pozáruční opravy zařizuje výrobce, na kterého je možné nakontaktovat se prostřednictvím jeho obchodních zástupců.

Za jakost, funkci a provedení krbu ručíme 2 roky ode dne prodeje spotřebiteli tak, že vady vzniklé prokazatelně následkem vadné výroby odstraníme v krátkém čase na naše náklady s podmínkou, že krb:

- byl obsluhován přesně podle návodu
- byl připojen na komín podle platných norem
- nebyl násilně mechanicky poškozen
- nebyly provedeny úpravy, opravy a neoprávněná manipulace

Při reklamaci je nutno udát přesnou adresu a uvést okolnosti za kterých k ní došlo. Reklamaci prošetříme, když k reklamaci předložíte vyplněný záruční list s datem prodeje a razítkem prodejny.

Při nákupu si ve vlastním zájmu vyžádejte čitelně vyplněný záruční list. O způsobu a místě opravy se rozhodne v našem podniku.

Při nákupu spotřebiče skontrolujte sklo příkládacích dvířek a šamotové cihly. Případnou reklamaci na poškozené sklo anebo poškozené šamotové cihly výrobce akceptuje jenom po prvním zatopení v spotřebiči.

Je nepřijatelné spotřebič provozovat při tepelném přetížení, to jest:

- množství použitého paliva je větší jako je doporučené
- množství spalovacího vzduchu je větší jako je doporučené
- používání nepřijatelných druhů paliv

Tepelné přetížení se může projevit:

- deformací stropu ohniště
- propálením roštu
- prasknutím šamotových cihel

V případě nesprávného provozování výrobce neakceptuje reklamaci na spotřebič.

Pro výměnu výrobku nebo zrušení kupní smlouvy platí příslušné ustanovení Občanského zákoníku a Reklamačního řádu.

HU

**Az EN 13229 szerint teszt
RIA III - A
folytongő kandallóbetétek beszerelési és kezelési utasítása**

1. Felépítési utasítás**1.1 Általános ismertetés**

A fatüzelésű kandallóbetét (a továbbiakban csak kandalló) egy monoblokk szerkezetű hőfogyasztó, amely átmeneti időszakban rövid időre helyettesíti, vagy hideg évszakokban kiegészíti a meglévő fűtést. A kandalló lokális terek fűtésére alkalmas. A kandalló az STN 33 0300 (Szlovák Műszaki Szabvány) szerinti igényeknek megfelelő közönséges környezetben szerelhető be. A kandalló az STN EN 13229 szabvány szerint fa és barnaszén-brikett tüzelőanyag felhasználására volt kipróbálva. A kandalló megfelelt az idézett szabvány által támasztott igényeknek.

A felépítés végzésekor minden helyi előírást, a nemzeti és az európai szabványokat is beleértve, be kell tartani.

A kandalló beépítése előtt szükséges az illetékes kéményseprő-mestert tájékoztatni, aki mint szakember ellenőrzi a kandalló megfelelő bekötését a kéménybe.

A kandallót megfelelő teherbíró képességgel rendelkező padlón kell beszerelni. A beszereléskor ügyelni kell arra, hogy elég hely legyen biztosítva a kandalló, a füstcső és a kémény tisztításának elvégzéséhez.

Üzemelés alatt, de üzemben kívül is a kandallónak zárva kell lennie, különben a kéménybe bekötött további fogyasztó jelentősen befolyásolva van.

A tüztér lemezköpennyel van körülhatárolva, belülről samott téglával van kibélelve. A tüztér alsó részében egy öntöttvas rostély található. A rostély alatt hamufiók van. Az ajtó tömítő zsinórral tömített. Csak tüzelőanyag bevitelekor szabad kinyitni. A tüzelőajtó magas hőmérsékleten is hőálló kerámiaüveggel rendelkezik. A legkisebb méretű homloknyílás a kandalló burkolatában: szélesség 600 mm, magasság 850 mm. A burkolat felületi hőmérséklete a használt építőanyag hőellenállása együtthatójának és vastagságának függvényében 30 és 80 °C határon belül lehet.

FIGYELEM: reklamáció vagy pótalkatrészek megrendelése esetén mindig a megnevezést, típust és az adatkártyán álló gyártási számot kell feltüntetni.

1.2 Műszaki adatok

Névleges hőteljesítmény [kW]	9
Hőáramlás [kW]	9
Hatásfok névleges teljesítményen [%]	min 79 %
Kémény üzemi huzata [Pa]	10÷13
Fő méretei [mm]:	
- szélesség	587
- mélység (fogantyú nélkül)	465
- magasság	790÷870
Füstcső átmérője [mm]	150
Magasság a füstcső alsó szegélyéig [mm]	Füstcső csak fent van
A hamufiók térfogata [dm ³]	3,55
Tömege cca. [kg]	94
Ajánlott tüzelőanyag:	
- száraz keményfa (bükkfa, tölgyfa) – fűtőérték cca. 15 MJkg ⁻¹	
- Barnaszénbrikett – I. osztályú C csoportba tartozó tüzelőanyag, fűtőérték 18 ÷ 21MJkg ⁻¹	
Az ajánlott tüzelőanyag megközelítő fogyasztása névleges teljesítményen kg/h ⁻¹]:	
- fa	2,80
- Barnaszénbrikett	2,20
Fűtési képesség [m ³]:	
- kedvező építmény-szerkezetű típus	> 200
- kevésbé kedvező építmény-szerkezetű típus	173
- hátrányos építmény-szerkezetű típus	114
Szabványok: EN 13229	

1.3 Kéménybekötés

A beépítésnél a 84/97. sz. Rendelet értelmében be kell tartani az összes idevonatkozó tervezeti, biztonsági és közegészségügyi irányelvet.

A kémény megoldására szolgáló adatok (névleges hőteljesítmény mellett):

Üzemanyag	Barnaszénbrikett	Fa
Füstgáz tömegáramlása [gs ⁻¹]	7,9	7,4
Maximális hőmérséklet a füstcső mögött [°C]	347	347
Min. huzat névleges hőteljesítmény mellett [Pa]	10	13

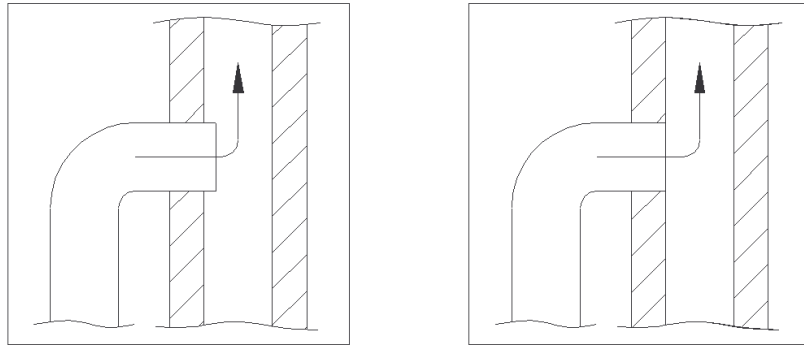
A kandallót többszörösen foglalt kéménybe is be lehet kötni, ami azt jelenti, hogy a kéménybe, amelyhez a kandalló van csatlakoztatva, több fogsasztót is be szabad kötni.

A kandalló csatlakoztatása előtt győződjön meg róla, hogy a kémény huzaterőssége megfelelő. A meggyújtott papír vagy gyertya lángjának be kell szívódnia a kémény nyílásába. A kandallót a legrövidebb irányban kell a füstcsatornába csatlakoztatni.

A kandallót csak a Szlovák Műszaki Szabvány - STN 73 4210 és az STN 73 4201 – előírásainak megfelelően, az illetékes kéményseprő-vállalat jóváhagyásával lehet a kéménykürtőhöz csatlakoztatni.

Ha a kandallót nem lehet közvetlenül a füstcsatornához csatlakoztatni, akkor a megfelelő füstelvezetőnek az adott lehetőségeknek megfelelően a lehető legrövidebbnek, és a kémény irányában felfelé ívelőnek kell lennie. A füstelvezető maximális hossza 1,5 m lehet. Mindenesetre szükséges a füst-könyökcsovet vagy a füstcsövet meglazulás ellen csappal biztosítani. A füst- és a könyökcsoveket a kéményhuzat irányában minimálisan 40 mm hosszúságban szorosan és szilárdan egymásba és a kandallóba kell illeszteni. A kéménynyílást a felhasznált füstcsövek átmérőjének megfelelő átmérővel rendelkező lemeztokkal kell ellátni

Az 1-es sz. ábra a kandalló szabályos és szabálytalan kéménybekötését ábrázolja.



Kéménybekötés

Szabálytalan szabályos

1. sz. ábra

A zavarmentes üzemelés biztosítása érdekében a kémény huzatát 10 ÷ 13 Pa (a kandalló mögötti csőben mérve) értéken kell tartani. Mivel a kémény huzaterősségét változó tényezők befolyásolják, mint pl. a levegő külső hőmérséklete, a füstgáz hőmérséklete, a kéményburkolat, a szél erőssége stb., ezért az év folyamán az nagyon különböző. Ezért ajánlatos a kéménybe huzatszabályozó szelepet építeni.

A kandalló akkor érheti el az előírt teljesítményt és hatást, ha megfelelő huzaterősségű kéménybe van bekötve. A kéménynek min. 150x150 mm keresztmetszetűnek és min. 5 méter magasnak kell lennie.

1.4 A légtér szellőztetése

A kandalló üzemelése közben biztosítani kell a térség kielégítő szellőztetését, tehát elegendő levegő beáramlását kívülről a kandalló üzemelésének térségébe. Ez nyitott ablak vagy nyitott külső ajtó segítségével valósítható meg. Biztonságosabb, ha a külső falban a kandalló beépítésével egyidejűleg a kandalló térségében külön nyílást biztosítunk az égési levegő biztosítására. A nyílásba belülről nyitható és csukható beállítható szellőzőrácsot kell beépíteni. A fatüzelésű üzemelésnél a kandallónak óránként 20 m³ friss levegőre van szüksége.

Élégtelen levegő-bevitel nehezíti a kandalló működését és veszélyezteti az Ön biztonságát!

Az illetékes tüzeléstechnikai szakember /kéményseprő által vizsgáltassa meg kandallójának szabályos beépítését, kéménybekötését és szellőztetését.

1.5 Tűzbiztonság

A beszerelésnél szigorúan be kell tartani az STN 92 0300 (Szlovák Műszaki Szabvány) által előírt tűzvédelmi szabályokat. A B, C1 és C2 gyúlékonysági osztályba sorolt gyúlékony építőanyagok és tárgyak közelsége esetén a kandallót az STN 73 0823 Szlovák Műszaki Szabvány szerint a hozzátartozó füstcsővel biztonságos távolságban kell beépíteni, ami ezektől a tárgyaktól számítva min. 400 mm távolságnak felel meg.

A biztonsági távolságot meg kell duplázni, ha a kandalló a hozzátartozó füstcsővel C3 gyúlékonysági osztályba tartozó anyagok közelében van beépítve. Ugyanezt kell tenni akkor is, ha a gyúlékony anyag gyúlékonysági foka nincs tanúsítva. Nem gyúlékony, hőszigetelő, min. 5 mm vastagságú, árnyékoló lemez használata esetén, ha az úgy van elhelyezve, hogy a lemez és a védett gyúlékony tárgy között 25 mm légréteg maradt, a biztonsági távolság a felére csökkenthető.

Ha a padlózat gyúlékony anyagból van, építse olyan nem égő, hőszigetelő alátétre a kandallót, melynek méretei elől 300 mm-rel, oldalain legkevesebb 100 mm-rel meghaladják a kandalló körvonalait. Az alátét legkisebb méretei és elhelyezése a 2. sz. ábrán látható. A védett tárgyon elhelyezett árnyékoló lemeznek minden oldalon legkevesebb 150 mm-rel, felső felületén legkevesebb 300 mm-rel meg kell haladnia a kandalló körvonalait, a füstcsöveket is beleértve.

A kéményben keletkezett tűz esetén a tűzrendészeti és munkavédelmi előírások értelmében kell eljárni.

A kandalló külső burkolata (hátsó és az oldalai) és a bélés belső fala közötti biztonságos távolságnak legkevesebb 10 cm-nek kell lennie.

A beltéri levegő szívónyílásának legkisebb mérete 20x20 cm.

A meleg levegő kifúvó nyílásának legkisebb mérete kétszerese a szívónyílás méretének.

A kandalló burkolatának tűzálló anyagból kell lennie.

2. Kezelési utasítás

2.1 Fontos biztonsági utasítások

Éghető gáz ideiglenes keletkezésének veszélyéhez vezető körülmények között, vagy tüzet, robbanást (pl. a padlózat ragasztása stb.) előidézhető munkálatok végzésénél a kandallót a veszély keletkezése előtt üzemén kívül kell helyezni. A kandallót ezen utasítás szerint kell kezelni.

A kandallót csak felnőtt személyek kezelhetik, gyereket az üzemelő kandalló közelében hagyni nem szabad.

Begyűjtáshoz semmilyen gyúlékony folyadékot nem szabad használni.

- ÜZEMELÉS KÖZBEN GYÚLÉKONY FOLYADÉK FELHASZNÁLÁSÁVAL TILOS A KANDALLÓ NÉVLEGES TELJESÍTMÉNYÉT NÖVELNI.

A kandallót nem szabad nyitott tüzelőajtó mellett üzemeltetni.

A hamut figyelmesen kell kihordani és fedővel ellátott tűzálló edényben tárolni, a forró hamut nem szabad a kukába szórni, sem szabad térségben tárolni.

A megrongált, működésképtelen kandallót nem szabad üzemeltetni.

A használatnak gondoskodnia kell az üzemeltetés megkezdése előtti szakszerű javítás elvégzéséről.

A hamu felhalmozódásának állapotát a füstcsőben és a könyökcsőben legalább havonként egyszer ellenőrizni kell és szükség szerint el kell végezni a tisztítást.

Üzemelés közben nem szabad a kandalló minden légbevezetőjét lezárni.

Üzemelés közben szükséges időnként ügyelni a kandalló működésére és a tűzbiztonságra. Ellenőrizni kell a tüzelőanyag állapotát a tüztérben, a hamu lerakódását a rostélyon, az égési levegő szabályozószerveinek állapotát, az ajtó rendes bezárását és ellenőrizni kell a környezet tisztaságát.

A tüztér samott téglá bélésein keletkezett repedés nem akadályozza a fogyasztó további üzemelését. Ez nem érvényes a mennyezeti vermikulittra.

Más hőfejlesztő berendezéssel való egyidejű üzemeltetés esetén biztosítani kell a légtér megfelelő szellőztetését (lásd: 1.4 pont).

2.2 Tüzelőanyag

A kandalló a következő tüzelőanyagokkal történő fűtésre alkalmas: fa és 7",6" hosszúságú barnaszénbrikett.

Az emissziós szabvány előírja, hogy csak száraz, természetes úton kiszáradt fa (maximálisan 20% nedvességtartalmú) használható. A nedves fa erős kátrány-lecsapódást vált ki. A legalkalmasabb a legkevesebb 2 évig száraz helyen tárolt cca. 30 cm kerületű és 30 cm hosszúságú fahasáb. Megfelelő a bükkfa, tölgyfa, gyertyánfa, nyírfa és a gyümölcsfa.

Nem megfelelő esetleg nem megengedett tüzelőanyagok:

Csak a 2.1. pontban megnevezett tüzelőanyagokat szabad használni.

Ezen kívül nem tüzelhető: szénpor, finomra aprított aprófa, fakéreg- és faforgács-hulladék, nedves és védőszerrel kezelt fa, papír és karton (befűtésen kívül).

Hulladék égetése az emissziók elleni védelemről szóló törvény szerint tilos.

A hulladék égetése közben keletkezett füstgáz veszélyeztetheti az Ön egészségét és kárt okozhat kandallója samott és fémrészeiben vagy a kéményben.

2.3 A kandalló beállítása

A kandalló égési levegő áramlását szabályozó berendezéssel van ellátva:

- primerlevegő: egy szabályozó szelep az ajtó alsó részén
- szekunderlevegő: egy szabályozó szelep az ajtó felső részén

A szabályozó szelepek jelzésekkel vannak ellátva: "0" – zárva, "1" – nyitva

FIGYELEM: az egyes kézi szabályozó elemek nagyon forrók lehetnek!

Forró állapotban történő kezeléskor a hozzávaló tartozékként szolgáló kesztyűt kell használni.

2.4 Begyűjtés

Begyűjtás előtt ki kell nyitni minden légbevezető csatornát ("1"-re állítani a szelepet). Egyidejűleg ügyelni kell a levegő beáramlására a helyiségbe (lásd az 1.4 pontot). Az ajánlott tüzelőanyag adagolásának intervalluma névleges teljesítmény mellett egy óra.

A tüzet papír és aprófagyújtós segítségével kell meggyújtani. Soha nem szabad benzint, szeszt, petróleumot stb. használni. Az égő tűzre egy réteg fahasábot és brikettet teszünk.

Soha nem szabad háromtól több fahasábot lerakni tüzelőanyag-töltetként.

A kandalló üzembe helyezését követően megtörténik az első lángra lobbanás. A tűz előbb lassan intenzívebbé válik, hogy a kandalló lassan és egyenletesen kitágulhasson és a kandallótest a hőfeszültség következtében ne szenvedjen károsodást. Ennek az állapotnak elérése érdekében a primer- és a szekunderlevegő szelepeket rögtön (mihelyt a tűz égése intenzívebbé válik) közép-beállításra kell beállítani.

Ha a begyűjtésnél nehézségek lépnek fel (időjárás-változás, hideg kémény, stb.) akkor a kandallóban papír segítségével lokális tüzet kell gyújtani, ezzel a kandalló gyorsabban üzembe helyezhető. A begyűjtési folyamat alatt az égést állandóan ellenőrizni és a kandallót folyton figyelni kell.

A kandalló tűzálló festékkel van ellátva, amely magasabb hőmérsékleten kikeményedik. Ezért az első felfűtési szakaszban szag keletkezik. Ebből az okból biztosítani kell - főleg a kandalló üzembe helyezésekor - a megfelelő szellőztetést.

Üzembe helyezésekor nem ajánljuk a kandalló külső lakkjához hozzányúlni, a még ki nem keményedett lakk az érintés következtében megsérülhet.

2.5 Normál üzemelés

A kandalló 10 ÷ 13 Pa kéményhuzat és az égési levegő vezetékek nyílásainak következő beállítása mellett éri el a névleges hőteljesítményt:

Névleges hőteljesítmény	Fa (bükk, tölgy)	Barnaszénbrikett
Primer levegő (lent)	Szelepet becsukni	Szelepet teljesen kinyitni
Szekunder levegő (fent)	Szelepet teljesen kinyitni	Szelepet becsukni

A jó égés elérése érdekében az égési levegőt tűzifa használatakor a szekunder szelepen, brikett használatakor pedig a primer légszelepen át szükséges bevezetni.

Minimális teljesítmény melletti üzemelés (kis hőszükséglet) érhető el az égési levegő vezetékek nyílásainak következő beállítása szerint.

Minimális teljesítmény	Barnaszénbrikett
Primer levegő (lent)	Szelepet kinyitni félig
Szekunder levegő(fent)	Szelepet kinyitni 1/3 részre

A kémény az égési levegő szelepeinek beállításán kívül az égés erősségére és egyúttal az Ön kandallójának fűtőtéljesítményére is ható fontos tényező. Nagyobb huzaterősségű kéménynek kisebb, alacsony huzaterősségű kéménynek viszont nagyobb az égési levegő szüksége.

Fahasáb használatakor az égési levegő mennyiségét először csökkenteni kell, amíg a fa tökéletesen át nem ég (kis tűz). Ha ez az eljárás túl nagy fűtőtéljesítményt von maga után, kisebb mennyiségű tüzelőanyagot kell berakni.

A tüzelés optimális szabályozása tapasztalatot igényel, főleg akkor, ha a kémény huzata nem állandó, vagy ha a tűzifa minősége változó.

A kémény túl erős huzata esetén, vagy ha túl sok tüzelőanyag van behelyezve, fennáll a lakk túlhevítésének a veszélye. A lakk színe ezüstfehérré változik és rövid időn belül lehámlik a kandallóról. Az így megrongálódott lakkért a gyártó nem vállal semmilyen felelősséget. Ezt az optikai hibát kandalló-lakkal (spray) ki lehet javítani.

2.6 Átmeneti időszakban történő üzemelés

Bizonyos feltételek mellett, megközelítőleg 15°C külső hőmérsékleten kis égési teljesítmény mellett veszélybe kerülhet a kéményhuzat, vagyis az égéstermékeket nem vezeti teljesen el (füstölés, füstgáz-szag). Az ilyen esetben meg kell tisztítani a rostélyt és növelni kell az égési levegő bevezetését. Fokozatosan csökkenteni kell a bevitt tüzelőanyag mennyiségét és gyakrabban kell a rostélyt tisztítani. Be kell zárni más, ugyanabba a kéménybe bekötött, nem üzemelő fogyasztók ajtóit és légszelepeit. Ellenőrizni kell a kémény tisztítónyílásainak tömítését.

2.7 Hamueltávolítás

A zavarmentes üzemeltetés biztosításához szükséges, hogy a kandalló időben és rendszeresen legyen tisztítva. A hamufiókot időben ki kell üríteni, hogy az égési levegő a rostélyon át rendszeresen áramolhasson. Különben fennáll a veszélye, hogy a rostély alatti hamu akadályozni fogja a légáramlást és a rostély a hiányzó hűtés következtében túlhevül és deformálódik.

A tüzelőanyag berakása előtt a kandallóból el kell távolítani a hamut.

2.8 Tisztítás és karbantartás

A kandallót, üzemeltetésének sűrűségétől függően, szükséges évente egyszer vagy többször kitisztítani (hideg állapotban). A tisztítást a következőképpen kell elvégezni:

A füstcsövet a leszerelése után egy megfelelő edényben megtisztítjuk. Az égéstermék gyűjtőterét acél-kefével, ecsettel és porszívóval lehet megtisztítani. Ezután a füstcsövet ismét a kandalló kéménye és füstelvezetője közé kell beilleszteni.

FIGYELEM: A kandalló a tisztítás után csak akkor helyezhető ismét üzembe, ha minden tisztításkor kiszedett része vissza lesz szerelve.

A kandalló külső felülete hőálló festékekkel van bespriccelve. Amikor a festék kikeményedik, megszilárdul (néhány órával névleges hőteljesítményű üzemelés után), meg lehet a felületét száraz törlőronggyal tisztítani.

Ez a hőálló festék nem nedvességálló. Ezért semmiféle tárgyat ne helyezzen a kandallóra, mert rozsdás foltok keletkezhetnek rajta.

A tüzelőajtó üvegét a szokásos üvegtisztítóval lehet megtisztítani a könnyebb üledéktől. A szilárd üledéket ráégett üledékeket tisztítására való kellékekkel vagy finom acélvattával lehet eltávolítani

FIGYELEM: az üvegnek nagyon élesek lehetnek az élei, ezért üvegcsere alkalmával feltétlenül védőkesztyűt használjon!

Ha a kandalló huzamosabb ideig van üzemeltetve, a további üzemeltetés előtt szükséges ellenőrizni a kémény, a füstcső vagy a kandalló esetleges bedugulását.

2.9 Meghibásodások okai és azok eltávolítása

Abban az esetben, ha kandallójának üzemelése közben üzemzavar keletkezik, pl. füstölés, forduljon az illetékes tüzeléstechnikai szakemberhez (kéményseprő). Ha kandallóján kár keletkezik, forduljon a forgalmazóhoz, akitől a kandallót vásárolta. A továbbiakban ismertetjük a lehetséges meghibásodások okait és eltávolításukat.

A meghibásodás neve	Lehetséges oka	Eltávolítása
Szagképződés	A felhasznált védőfesték kiszáritása, olajmaradék kipárolgatása	A kandallót a kezelési utasítás szerint néhány órán át kis teljesítményen üzemeltetni. Utána néhány órán át maximális teljesítményen fűteni.
Túl kis hőteljesítmény	A választott teljesítmény túl kicsi Elégtelen huzat a kéményben A füstcső rosszul van bekötve	A hőszükségletet szakemberrel kell ellenőriztetni. A kéményhuzat értéke legalább 10 ÷ 13 Pa legyen! Ellenőrizni a kémény tömítését. A kéménybe bekötött többi fogyasztó ajtóit szorosan be kell zárni. Ügyelni kell a tisztítózárak tömítésére. Esetleg egy 1,5 m hosszú függőleges füstcsövet kell használni (befutópálya). Ellenőrizni a füstcsövet.
A kandalló füstöl és kormoz	A füst elvezetése elégtelen (bedugult kémény vagy visszafelé történő áramlás a kéményben) A kémény túl gyenge Nedves fával történő tüzelés	Ha a kandalló füstöl és kormoz, az ok csaknem mindig a füstgáz-elvezetésen múlik. Ellenőrizni a füstcsövet és a kéményhuzatot, esetleg tanácsot kérni a kéményseprőtől. Csak jól kiszáradt fát kell használni
A kandallóajtó üvege rövid időn belül megfeketedik a koromtól	Helytelen tüzelés, pl. nedves fával A füstelvezetés nem elégséges (bedugult kémény vagy visszafelé történő áramlás a kéményben)	Csak jól kiszáradt fát kell használni Ellenőrizni a füstcsövet és a kéményhuzatot, esetleg tanácsot kérni a kéményseprőtől.

A kandalló túl erősen fűt	A kandallóajtó tömítése megrongálódott	Kicserélni a tömítést
Szippantás	Néha bedugult kémény vagy visszafelé történő áramlás a kéményben Ha minden légvezeték zárva van Túl sok tüzelőanyag van behelyezve	Tanácsot kérni a kéményseprőtől Üzemelés közben nem szabad minden légvezetékét lezárni. Csak egy réteget bevinni
Károk a rostélyon	A rostély kiégett	A rostély kiégését mindig a túltömött hamufiók rovasára kell írni. A rostély nincs helyesen hűtve, a hamufiókot időben üríteni

2.10 Tartozékok jegyzéke

- védőkesztyű

2.11 Pótalkatrészek jegyzéke

- tüzelőajtó
- tüzelőajtó üveg
- tüzelőajtó tömítő zsinór
- tüzelőajtó kallantyú
- samott téglák, mennyezeti vermikulit
- hamufiók
- öntöttvas rostély
- öntöttvas üvegvédő

Csak ezeket a pótalkatrészeket ajánljuk használni.

3. Garancia

Ha kandallóján a jótállási idő alatt működési vagy felületkezelési hiba fordul elő, azt soha ne igyekezzen egyedül kijavítani. A jótállás alatti és jótállás utáni javításokat a gyártó végzi.

A kandalló minőségéért és felépítéséért a fogyasztónak történő eladás napjától számítva 2 évig vállaljuk a garanciát úgy, hogy a bizonyíthatóan hibás elkészítés következtében keletkezett hibákat rövid időn belül saját költségünkre eltávolítjuk azzal a feltétellel, hogy a kandalló:

- pontosan az utasítás szerint volt kezelve,
- a kéménybekötés az érvényes szabványok szerint volt végrehajtva
- nem volt erőszakkal mechanikailag megrongálva,
- nem voltak rajta javítások, módosítások és jogtalan kezelési eljárások végezve.

Reklamáció alkalmával meg kell adni a pontos címet és ismertetni kell a körülményeket, melyek azt előidézték. A reklamációt elbíráljuk, ha ahhoz az eladás dátumával és a forgalmazó pecsétjével ellátott garancialevelet is mellékel. Vásárlás alkalmával saját érdekében igényelje az olvashatóan kitöltött garancialevelet. A javítás módjáról és helyéről üzemünkben határozunk.

A fogyasztó megvásárlása alkalmával ellenőrizze a kandallóajtó üvegét és a samott téglát. Megrongálódott üveget vagy samott téglát illető esetleges reklamációt a gyártó csak a fogyasztóba történő első befűtés után fogad el.

A fogyasztót hő-túlterhelés mellett üzemeltetni nem megengedett, ami azt jelenti, hogy:

- a használt tüzelőanyag mennyisége nagyobb az ajánlottnál
- Az égési levegő mennyisége nagyobb az ajánlottnál
- Nem megengedett tüzelőanyag-fajta használata

A hő-túlterhelés a következőkben mutatkozhat meg:

- A tűztér mennyezetének eltorzulásában
- A rostély átégésében
- A samott téglák szétrepedésében

Rendellenes üzemeltetés esetén a gyártó nem fogadja el a fogyasztóra benyújtott reklamációt.

A termék kicserélésére vagy az adás-vételi szerződés felbontására a Polgári Törvénykönyv és a Reklamációs Szabályzat megillető előírásai érvényesek.

WARRANTY CERTIFICATE

Product name and model: SOLID FUEL FIREPLACE HEATER
RIA III-A model No F 9477 K *)

Serial number: *) Quality class *)

Standards: EN 13229

Date of production, seal and signature of technical inspection: *)

Sales point seal, purchase date, signature: *)

* Put corresponding seals, fill in, or cross out if not applicable.

The warranty certificate is invalid without data marked with *)!

The product was repaired under guarantee:	Seal and signature of repair shop:
from:.....to:.....
from:.....to:.....
from:.....to:.....

THORMA Výroba, k.s.
SK – 986 01 Fiľakovo
tel/fax: 00421/47/4511537

SUPPLEMENTARY CLAUSE

The manufacturer recommends disposing the different parts of the packaging as follows:

- take the steel stripe and the cardboard to a collecting point,
- wooden parts can be burnt.

Once the service life of the product has expired the manufacturer recommends disposing it at a collection point, and the refractory blocks and ceramic parts at a waste deposit.

ZÁRUČNÝ LIST

Názov a typ výrobku: KRBOVÁ VLOŽKA NA TUHÉ PALIVO
RIA III-A typ. č. F 9477 K *)

Výrobné číslo: *) Akostná trieda *)

Normy: STN 06 1201, STN EN 13229, STN 73 4201, STN 73 4210

Dátum výroby, pečiatka a podpis technickej kontroly: *)

Pečiatka predajne a dátum predaja a podpis: *)

* Vyplniť príslušnými pečiatkami, rukou, resp. čo sa nehodí škrtnúť.

Bez údajov označených *) je záručný list neplatný!

Výrobok bol v záručnej oprave:	Pečiatka a podpis opravovne:
od:.....do:.....
od:.....do:.....
od:.....do:.....

THORMA Výroba, k.s.
SK – 986 01 Fiľakovo
tel/fax: 047/4511537

DODATOK

Výrobca doporučuje spotrebiteľovi jednotlivé časti obalu nasledovne znehodnotiť:

- oceľovú pásku, PE vreće, kartón z vlnitej lepenky odovzdať do zberu
- drevené časti využiť ako palivové drevo

Výrobca doporučuje spotrebiteľovi odovzdať výrobok po uplynutí doby jeho životnosti do zberu kovového šrotu, šamotové tehly a keramické sklo na skládku odpadu.

ZARUČNÍ LIST

Název a typ výrobku: KRBOVÁ VLOŽKA NA PEVNÉ PALIVO
RIA III-A typ. č. F 9477 K *)

Výrobní číslo: *) Jakostní třída *)

Normy: ČSN 06 1000, ČSN EN 13229, ČSN 06 1008, ČSN

Datum výroby, razítko a podpis technické kontroly: *)

Razítko prodejny, datum prodeje a podpis: *)

*) Opatřit příslušnými razítky, vyplnit rukou, resp. nehodící se škrtněte.

Bez údajů označených *) je záruční list neplatný!

Výrobek byl v záruční opravě:

Razítko a podpis opravovny:

Od:do:.....

.....

Od:do:.....

.....

Od:do:.....

.....

THORMA Výroba, k.s.

SK – 986 01 Fiľakovo

tel/fax: 00421/47/4511537

DODATEK

Výrobce doporučuje spotřebiteli jednotlivé části obalu zneškodnit následovně:

- ocelovou pásku, PE pásku, vlnitou lepenku, PE obal odevzdat do sběru
- dřevěné části využít jako palivové dřevo

Výrobce doporučuje spotřebiteli odevzdat výrobek po uplynutí doby životnosti do sběru kovového šrotu, šamotové cihly, vermikulitové tvarovky a keramické sklo na skládku odpadu.

GARANCIALEVÉL

A termék típusa és megnevezése: FATÜZELÉSŰ KANDALLÓBETÉT

RIA III - A típusszám: F 9477 K

Gyártási szám: *) Minőségi osztály *)

Szabványok: EN 13229

A gyártás dátuma,
műszaki ellenőrzés, pecsétje, aláírása: *)

Forgalmazó pecsétje,
eladás dátuma és aláírás: *)

* A megfelelő pecséttel ellátni, kézzel kitölteni, ill. Ami nem jó áthúzni.

A *) jelölt adatok nélkül a garancialevél érvénytelen!

A termék garanciális javítása: Javítóműhely pecsétje, aláírás:

.....-tól.....-ig

.....-tól.....-ig

.....-tól.....-ig

THORMA Výroba k.s.

Fiľakovo (Fülek)

Slovenská republika (Szlovák Köztársaság)

tel/fax: 00421/47/4511537

FÜGGELÉK

A csomagolás egyes részeit a gyártó a következőképpen ajánlja a fogyasztónak megsemmisíteni:

- az acélszalagot, hullámkartont átadni a begyűjtőbe
- a faelemeket fatüzelőanyagként felhasználni

A gyártó ajánlja a fogyasztónak a terméket élettartama lejártá után az ócskavas-begyűjtőbe átadni, a samott téglát és a kerámiaüveget pedig a hulladék-lerakodóhelyre elszállítani.