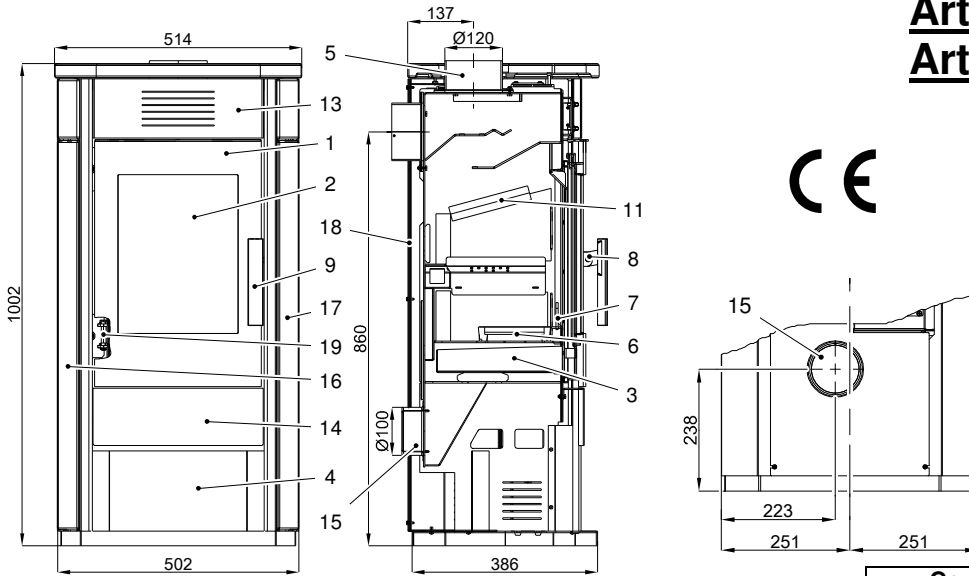


Specification of fireplace stove JAVUS II 204.14-C

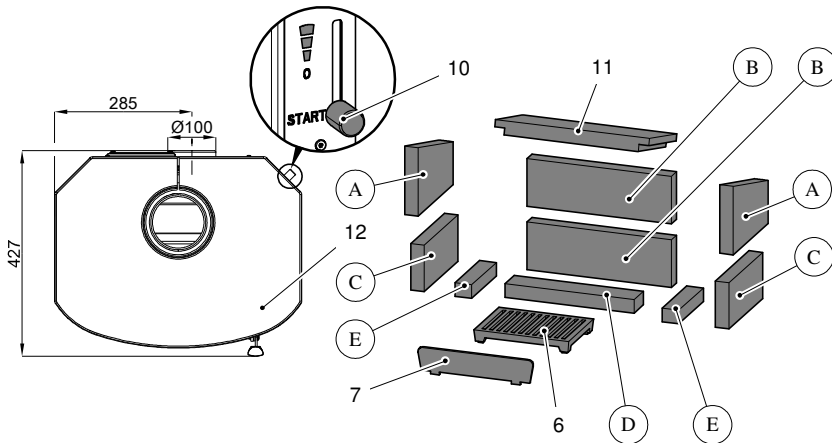
Art. No. 0420414010000

Art. No. 0420414020000



Suitable fuels:
For the combustion in your fireplace stove, the following fuels are approved (see also the chapter 5.1.):
Dry, well-seasoned wood left in natural state, wood briquettes according to DIN 51731.

Amount of fuel, adjustment of the control of combustion air, manner of operation:
see the chapters 5.4, 5.5 and 5.6 of the Operation Manual and the table below.



Control switch Easycontrol (item 10)		
Ignition	Heating	Shut
Article No.	Brick No.	Dimensions
0420114005503	A	151x209x30
0420114005501	B	320x105x30
0420114005502	C	202x102x30
0420114005504	D	286x56x30
0420114005505	E	148x37x30

Fuel	maximum one amount of fuel	Control of air (10) Ignition	Control of air (10) Shut	Control of air (10) Heating
Wood logs, wood briquettes:	2 logs (about 1,0 – 1,5 kg) or 1 wood briquette (1,5 kg)	Item down (10 minutes)	Item centre	Item up

ET. No.	Item	Name	ET. No.	Item	Name
0420414015300	1 -	Door of fire-box anthracite	0420114006101	12 -	Covering board/ceramics, basalt
0420414005305	2 -	Glass 362x270	0420114005045	13 -	Upper screen anthracite
0420114005600	3 -	Ash pan	0420414005075	14 -	Lower screen anthracite
-	4 -	Room for storage of wood	0088500050008	15 -	Connection of external air Ø100
0420114005060	5 -	Connection of the smoke flue Ø 120	0420114026120	16 -	L.H. lateral side ceramics, maple
0020100080006	6 -	Seating of the grate	0420114006120	16 -	L.H. lateral side ceramics, basalt
0420114005067	7 -	Pile grating 254x56	0420114026110	17 -	R.H. lateral side ceramics, maple
0420114125321	8 -	Attachment of the hand pull of the door	0420114006110	17 -	L.H. lateral side ceramics, basalt
0420114005371	9 -	Hand pull of the door	0420414005075	18 -	Rear side anthracite
0429415006625	10 -	Control button Easy control	0420114005086	19 -	Spring of the door of the fire-box
0420114005511	11 -	Return draft board 341x170x30	0040014140005		Sealing of the door 14mm
0420114026101	12 -	Covering board/ceramics,, maple	0040208020006		Sealing of the glass 8x2mm

Technical data:		Javus II 204.14-C	
Height	1002 mm	Temperature of combustion products in the neck of the heat source	245°C
Width	502 mm	Minimum draft of the chimney	12 Pa
Depth without handles	386 mm	Minimum draft of the chimney at 0,8-times nominal heating output	10 Pa
Weight	106 kg	Volume stream of combustion products	3,6 g/s
Neck of the tube	120 mm	Fuel	Wood Wood briquettes
Nominal heat output	4 kW	CO ₂	0.09% 0.10%
Range of heat outputs	2,1-4,4 kW	Energy efficiency	83.6% 84.2%
Checking No.: EN 13240 RRF-40 14 3711			