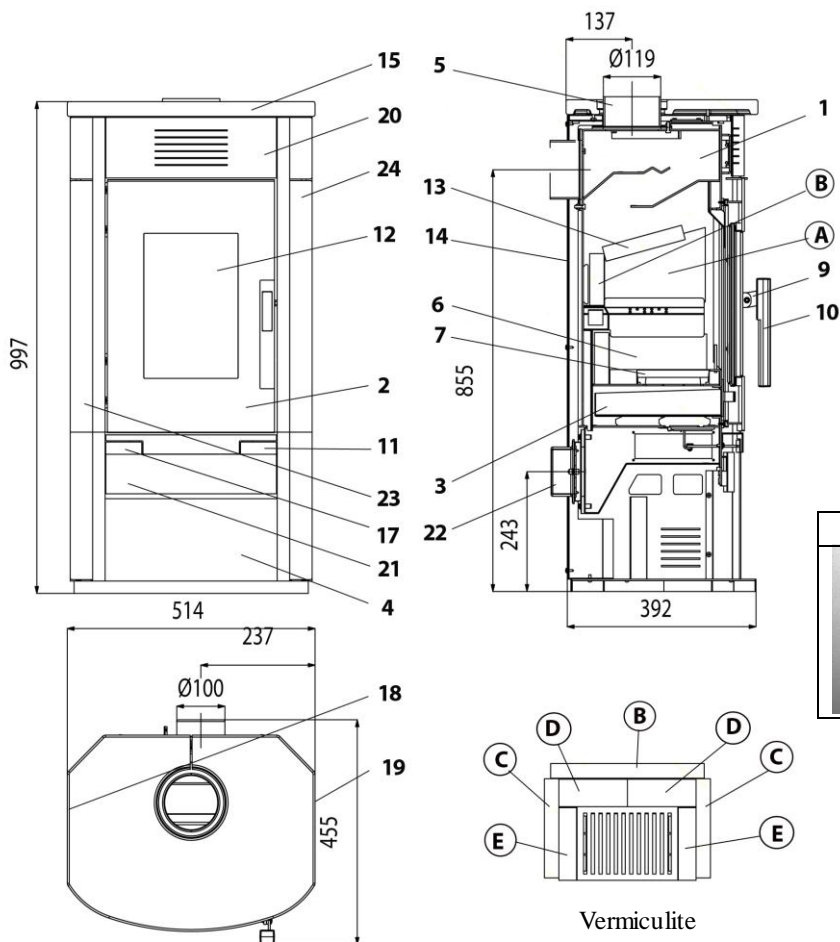


Equipment sheet fireplace JAVUS RLU 203.14-C

Art. Nr. 0420314020000



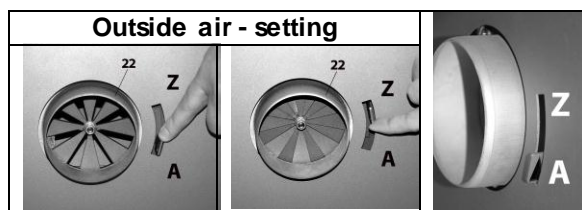
Suitable fuels:

The following materials are approved for burning in your fireplace (refer also to chapter 5.1):

Dry, natural wood, wood briquettes according to DIN 51731;

Fuel quantities, setting of combustion air damper, operation:

See chapters 5.4, 5.5 and 5.6 in the Operating Instructions and table below.



Articlenr.	Stone Nr.	Dimension
0420114005503	A	151x209x30
0420114005501	B	320x105x30
0420114005502	C	202x102x30
0420114005504	D	143x56x30
0420114005505	E	148x37x30

Fuels	Maximum fuel quantity	Primary air damper (11) (Air flow through the grating)	Secondary air damper (17, left) when heating	Secondary air damper (17, left) embers glowing
Wood billets, wood briquettes	2 – 3 billets (approx. 1.5 – 2 kg) or 1 wood briquette (1.5 kg)	For 10 minutes: Open, then closed	Open (push)	Close (pull)

ET. Nr.	Pos.	Bezeichnung	ET. Nr.	Pos.	Bezeichnung
-	1 -	Oven body anthracite	0420114005156	14 -	Rear panel anthracite
0420214005300	2 -	Fire chamber door anthracite	0420114026101	15 -	Cover plate ceramic maple
0420114005600	3 -	Ash pan	0420114005086	16 -	Door spring
-	4 -	Wood storage compartment	0420214015096	17 -	Secondary air damper
0420114005060	5 -	Smoke pipe spigot Ø 120	0420114016160	18 -	Side panel left anthracite
-	6 -	Refractory	0420114016150	19 -	Side panel right anthracite
0020100080006	7 -	Grating	0420114005045	20 -	Blind above anthracite
0420114005067	8 -	Upright grating 72x255	0420214005063	21 -	Blind below anthracite
-	9 -	Door handle mounting	-	22 -	Outside air - pipe fitting Ø100
0420214005301	10 -	Fire chamber door handle	0420114026120	23 -	Side panel left ceramic maple
0420214015095	11 -	Primary air damper	0420114026110	24 -	Side panel right ceramic maple
0530217105301	12 -	Glass pane 325x215	0040014140005		Seal door 14mm
0420114005511	13 -	Deflection plate 340x170x30	0040210040005		Seal glass 10x4mm

Technical data:		Javus 203.14-C	
Height	997 mm	Flue gas temperature on the spigot of the heat generator	245°C
Width	514 mm	Minimum delivery pressure	12 Pa
Depth without handles	392 mm	Minimum delivery pressure with 0.8 times rated thermal capacity	10 Pa
Weight	106 kg	Flue mass flow	3,6 g/s
Pipe spigot	120 mm	Fuel	Wood Wood briquette
Rated heating capacity	4 kW	CO2	0,09% 0,10%
Thermal output range	2,0-4,0 kW	Efficiency	83,6% 84,2%
Inspection no.:13240 RRF-40-11-2847			