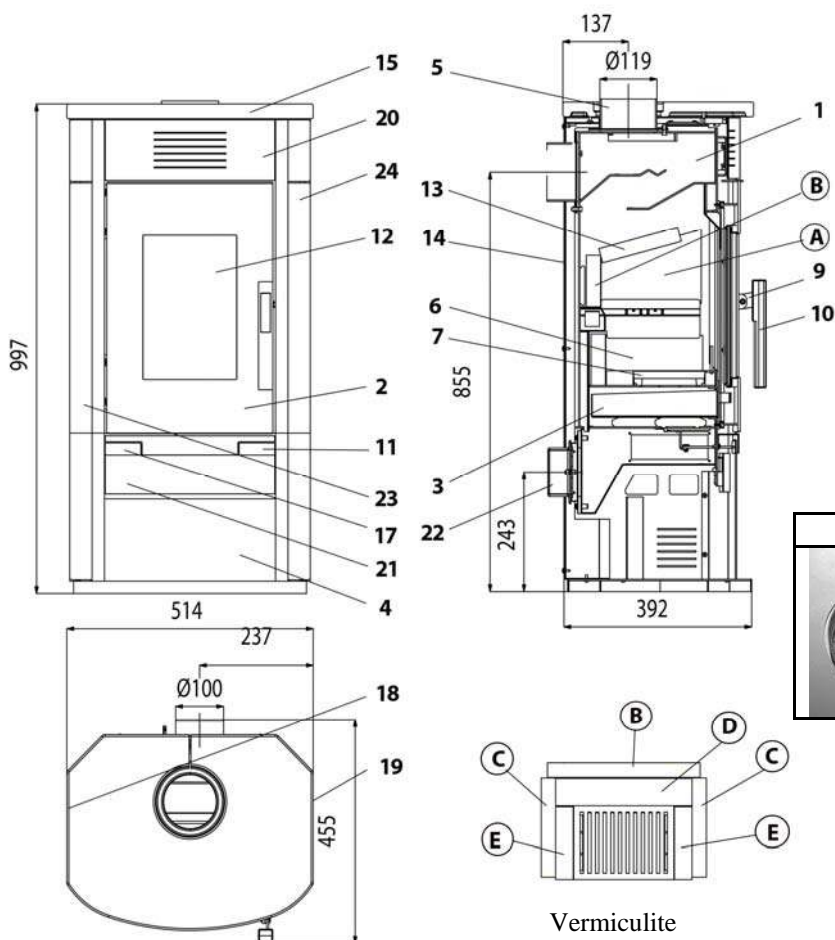


Equipment sheet fireplace JAVUS 201.14-1

Art. Nr.042011401000



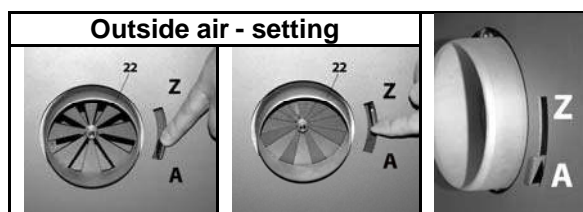
Suitable fuels:

The following materials are approved for burning in your fireplace (refer also to chapter 5.1.):

Dry, natural wood, wood briquettes according to DIN 51731;

Fuel quantities, setting of combustion air damper, operation:

See chapters 5.4, 5.5 and 5.6 in the Operating Instructions and table below.



Articlenr.	Stone Nr.	Dimension
0420114005503	A	151x209x30
0420114005501	B	320x105x30
0420114005502	C	202x102x30
0420114005504	D	143x56x30
0420114005505	E	148x37x30

Fuels	Maximum fuel quantity	Primary air damper (11) (Air flow through the grating)	Secondary air damper (17, left) when heating	Secondary air damper (17, left) embers glowing
Wood billets, wood briquettes	2 – 3 billets (approx. 1.5 – 2 kg) or 1 wood briquette (1.5 kg)	For 10 minutes: Open, then closed	Open (push)	Close (pull)

ET. Nr.	Pos.	Bezeichnung	ET. Nr.	Pos.	Bezeichnung
-	1 -	Oven body cast gray	0420114006075	14 -	Rear panel cast gray
0420114015300	2 -	Fire chamber door anthracite	0420114006101	15 -	Cover plate ceramic basalt
0420114006600	3 -	Ash pan	0420114005086	16 -	Door spring
-	4 -	Wood storage compartment	0420114015095	17 -	Secondary air damper
0420114006060	5 -	Smoke pipe spigot Ø 120	0420114015160	18 -	Side panel left cast gray
-	6 -	Refractory	0420114015150	19 -	Side panel right cast gray
0020100080005	7 -	Grating	0420114015089	20 -	Blind above cast gray
0420114006067	8 -	Upright grating 72x255	0420114006063	21 -	Blind below cast gray
0420114015321	9 -	Door handle mounting	-	22 -	Outside air - pipe fitting Ø100
0331815005413	10 -	Fire chamber door handle	0420114006120	23 -	Side panel left ceramic basalt
0420114015095	11 -	Primary air damper	0420114006110	24 -	Side panel right ceramic basalt
0530217105301	12 -	Glass pane 325x215	0040014140005		Seal door 14mm
0420114005511	13 -	Deflection plate 340x170x30	0040210040005		Seal glass 10x4mm

Technical data:		Javus 201.14-1	
Height	997 mm	Flue gas temperature on the spigot of the heat generator	°C
Width	514 mm	Minimum delivery pressure	12 Pa
Depth without handles	392 mm	Minimum delivery pressure with 0.8 times rated thermal capacity	10 Pa
Weight	146 kg	Flue mass flow	g/s
Pipe spigot	120 mm	Fuel	Wood Wood briquette
Rated heating capacity	4 kW	CO2	
Thermal output range	2,0-4,0 kW	Efficiency	
Inspection no.:13240 RRF-40-11-2628			